

REPUBLIC OF KENYA



REPUBLIC  
OF  
KENYA



**MINISTRY OF WATER AND IRRIGATION**

**UPPER TANA NATURAL RESOURCES MANAGEMENT PROJECT (UTaNRMP)**

**Financed by;**

**Government of Kenya**

**International Fund for Agricultural Development (IFAD) Loan No. 1-867-KE**

**Spanish Trust Fund Loan No. E-8-KE**

**And Beneficiaries**

**Lead agency;**

**Ministry of Water and Irrigation**

**REVISED CIVIL WORKS MANUAL FOR COMMUNITY  
PROJECTS**

Compiled by;

Project Coordination Team

P.O. Box 996-60100 Embu

Tel: 068 - 31376

Email: utanrmp@gmail.com

MAY 2017

## TABLE OF CONTENT

TABLE OF CONTENT .....	i
List of Tables .....	v
List of Acronyms and Abbreviations .....	vi
Currency units, weights and measures .....	viii
Map 1: Project Map .....	ix
1.0 PROJECT BACKGROUND.....	10
1.1 Introduction.....	10
1.2 Project Background Information.....	10
1.3 Project Components .....	12
2.0 INTRODUCTION TO CIVIL WORKS IMPLEMENTATION MANUAL .....	15
2.1 Principles of the Manual .....	15
2.2 Grants Funding to CBO and WUAs .....	16
2.3 Integration of Groups' proposals with Government Development Policies .....	16
2.4 Eligibility Criteria .....	16
3.0 ROLES AND RESPONSIBILITIES OF INSTITUTIONS IMPLEMENTING CIVIL WORKS ACTIVITIES.....	20
3.1 Overview of Institutional Relationships.....	20
3.2 Roles and Responsibilities of Common Interest Groups (WUAs).....	21
3.3 Key Technical Departments/Service Providers .....	23
3.4 Focal Development Area Committees (FDACs) .....	24
3.5 County Project Facilitation Teams (CPFT).....	25
3.6 County Project Coordination Committee.....	25
3.7 Project Coordinating Team (PCT) .....	26
3.8 Project Steering Committee (PSC) .....	26
3.9 International Fund for Agricultural Development (IFAD) .....	27

4.0	CIVIL WORKS FINANCING, GOVERNANCE, ACCOUNTABILITY PROCESSES AND PROCEDURES.....	28
4.1	Introduction.....	28
4.2	Civil works activities, Processes and Procedures .....	28
4.3	Categorization of community projects .....	33
4.4	Eligibility Criteria.....	34
4.5	CBO/WUA Activity Criteria for Funding.....	35
4.6	Community Contributions.....	37
4.7	Appraisal Criteria.....	37
4.8	Implementation Modalities .....	38
4.9	Annual Case Studies .....	39
4.10	Award of Completion Certificate.....	39
4.11	Governance Framework.....	39
4.12	Alterations and amendments to this manual .....	45
5.0	FINANCIAL MANAGEMENT AND PROCUREMENT .....	46
5.1	Introduction.....	46
5.2	General Provisions .....	46
5.3	Financial Management and its relevance to Community Projects .....	46
5.4	Procurement .....	54
	APPENDICES .....	<b>Error! Bookmark not defined.</b>
	APPENDIX 1: FORMATS AND SAMPLE CONTRACTS .....	<b>Error! Bookmark not defined.</b>
	F1: Call for Proposal Media Release .....	<b>Error! Bookmark not defined.</b>
	F2: Proposal Format.....	73
	F3: Desk and Field Appraisal Guidelines .....	84
	F4: Project Progress Report Formats .....	99
	F 4.1: WUA Monitoring and Evaluation Committee to FDAC .....	99

F 4.2: FDACs to WRUAs .....	101
F4.3 CPFT to PCT .....	102
F4.4: Lessons Learnt Template the CPFT .....	103
F4.5: Case Study Template by the CPFT.....	105
F5: Sample Memorandum of Understandings (MOUs) .....	106
F5.1: CPC and CBO/WUAs .....	106
APPENDIX 2: FINANCE AND PROCUREMENT FORMS.....	112
FPF 1: Cashbook (list of receipts and payments).....	112
FPF 2: Community Contribution Book (to be prepared by WUA secretary) .....	114
FPF 3: Payment Voucher .....	115
FPF 4: Unofficial receipt for goods .....	117
FPF 5: Budget Control Form .....	118
FPF 6: STATEMENT OF SOURCE AND USE OF FUNDS .....	119
FPF 7: Bank Reconciliation Statement .....	120
FPF 8: Petty Cash Voucher.....	121
FPF 9: Procurement Requisition Form .....	122
FPF 10: Procurement Plan .....	123
FPF 11: Inspection & Acceptance Certificate.....	127
FPF 12: Goods Received Note.....	128
FPF 13: Goods Issue Note .....	129
FPF 14: Storage Management Record .....	130
FPF 15: Tender Register .....	131
FPF 16: Register of Samples.....	132
FPF 17: BUDGET TEMPLATE FOR CATEGORY A AND B .....	133
FPF 18: WORKPLAN .....	134
FPF 19: Inspection and Acceptance Certificate .....	135

FPF 20: Certificate of Final Completion.....	136
APPENDIX 3: OTHER FORMS .....	137
OF 1: Complaints Register.....	137
OF 2: Complaints Form .....	138
OF 3: Completion Certificate Form.....	139
OF 4: Completion Certificate.....	140

## **List of Tables**

Table 1.1: Project River Basins .....	11
Table 4.1: Explanation of the flow cart for implementation process .....	30
Table 4.2: Categories of Proposals .....	36
Table 4.3: Summary of Risks and their mitigation measures .....	41
Table 5.1: Audit Check List.....	53
Table 5.2: Procurement Thresholds .....	56

## **List of figures**

Figure 1: Institutions in Matching Grants Administration.....	20
Figure 2: Flow of Information among the Stakeholders .....	21
Figure 3: WUA Sub Committees .....	22
Figure 4: Pproposal implementation Process.....	29

## List of Acronyms and Abbreviations

AIDS	Acquired Immuno-Deficiency Syndrome
AIEs	Authority to Incur Expenditure
AGM	Annual General Meeting
ATC	Agricultural Training Centre
AWPB	Annual Work Plan and Budget
CAPs	Community Action Plans
CAN	Calcium Ammonium Nitrate
CBK	Central Bank of Kenya
CBOs	Community Based Organization
CDD	Community Driven Development
CDSS	County Director of Social Services
CFP	Call for Proposal
CID	Criminal Investigation Department
WUA	Common Interest Group
CPC	County Project Coordinator
CPCC	County Project Coordinating committee
CPFT	County Project Facilitating Team
EACC	Ethics and Anti-Corruption Commission
EIA	Environnemental Impact Assessment
EMCA	Environnement Management Coordination Act
EMP	Environnement Management Plan
FBOs	Faith Based Organisations
FDA	Focal Development Area
FDACs	Focal Development Area committee
FFS	Farmer Field School
FM	Financial Management
GOK	Government of Kenya
HCDA	Horticultural Crops Development Authority
HDPE	High-density polyethylene
HIV	Human Immuno- Deficiency Virus
IFAD	International Fund for Agricultural Development
IFAD-KCO	International Fund for Agricultural Development-Kenya Country Office
IGAs	Income Generating Activities
IOA	Independent Oversight Agent
KARI	Kenya Agricultural Research Institute
KENAO	Kenya National Audit Office
KEPHIS	Kenya Plant Health Inspectorate services

KM&L	Knowledge Management and Learning
Kshs	Kenya Shillings
LPO	Local Purchase Order
LSO	Local Service Order
MD	Man Days
MKEPP	Mt Kenya East Pilot Project
MoEW&NR	Ministry of Environment, Water and Natural Resources
M&E	Monitoring and Evaluation
MOU	Memorandum of Understanding
NCD	New Castle Disease
NGOs	Non-Governmental Organization
NPK	Nitrogen Phosphorus and potassium
NRM	Natural Resources Management
PCT	Project Coordinating Team
PFM	Participatory Forest Management
PFMA	Public Finance Management Act
PIM	Project Implementation Manual
PMCs	Project Management Committee
PRA	Participatory Rural Appraisal
PSC	Project Steering Committee
PWDs	Persons with Disability
SCITS	Sub-County Implementation Teams
SCMP	Sub-Catchment Management Plans
SOEs	Statement of Expenditure
STF	Spanish Trust Fund
TOR	Terms of Reference
TSNs	Technical Support Notes
UTaNRMP	Upper Tana Natural Resources Management Project
USD	United states Dollars
VAT	Value Added Tax
WA	Withdrawal Application
WRMA	Water Resources Management Authority
WRUA	Water Resource Users Association
WSTF	Water Services Trust Fund
WUA	Water Users Association



## Currency units, weights and measures

Currency Unit = Kenya Shilling (Kshs.)

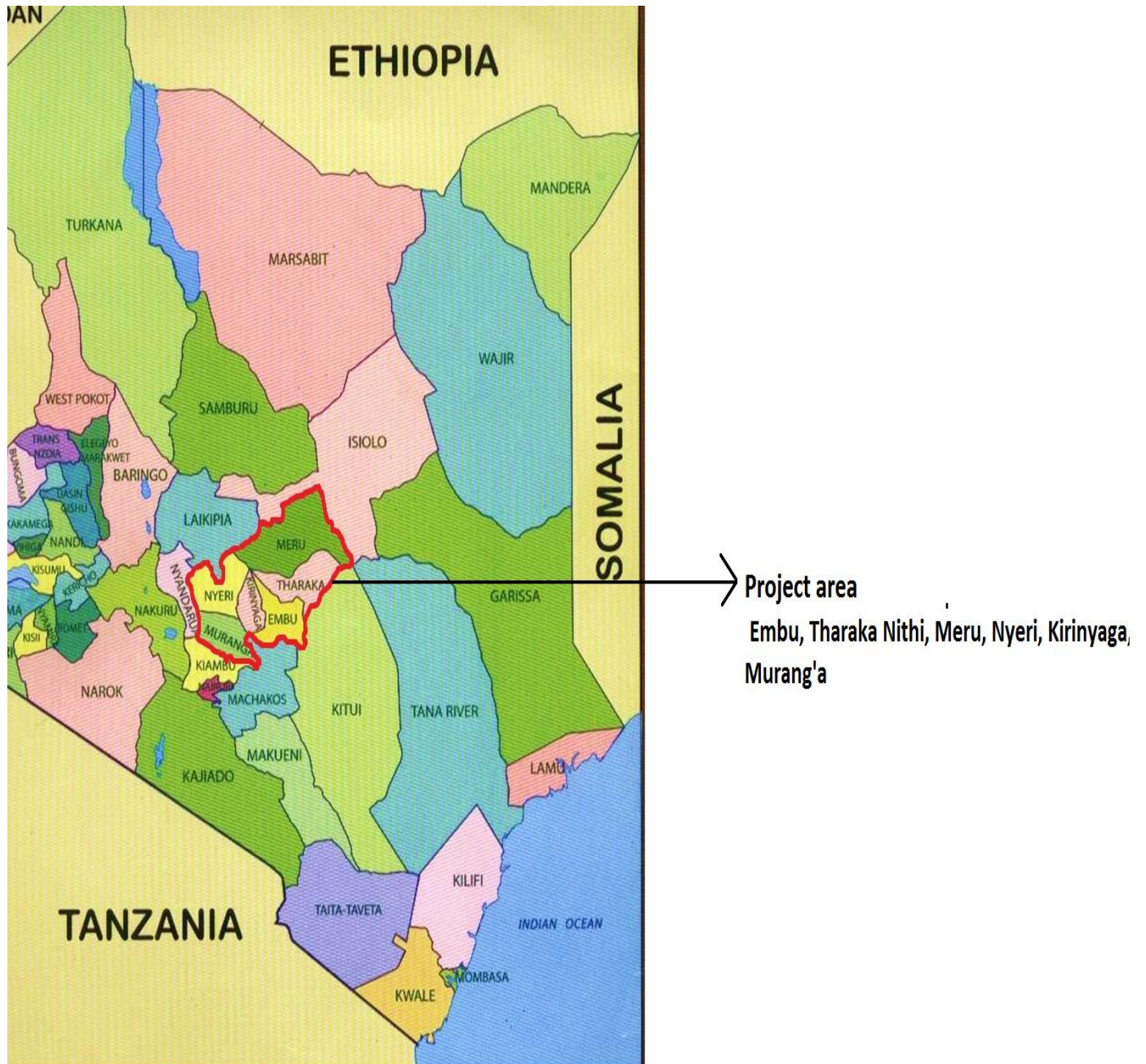
USD 1 = KSH 85.6

1 SDR = USD 1.55

1EURO = KSH 109.1951

Fiscal Year = 1<sup>st</sup> July to 30<sup>th</sup> June

**Map 1: Project Map**



## **1.0 PROJECT BACKGROUND**

### **1.1 Introduction**

This manual provides modalities, processes and procedures that will be applied for funding civil works projects/activities proposed by Community Based Organizations (CBOs), Community Groups and Water Users Associations (WUAs). The project has four windows of funding Community Groups namely: (i) Matching grants through the Water Services Trust Fund (WSTF) to supports WRUAs and CFAs implement activities geared towards conservation of natural resources that are activities of public good in nature, (ii) Matching grants by Project Coordinating Unit (PCU) to-supports CIGs proposals for which are income generating or private good nature, (iii) the Civil Works window which supports activities of both public good and specific group members to implement activities which are income generating but water related in nature (iv) PCU funding of other activities such as solar fences, school greening programme, cross-cutting window which supports bulk procurement of equipment and capacity building of staff and community. The preparation of this manual is guided by the Project Design Report, Loan Agreement, as well as other GOK and IFAD policy documents. The manual has borrowed from experiences of other Community Driven Development (CDD) such as the European Union funded Community Development Trust Fund and IFAD procurement guidelines and loan agreement. This manual is prepared with the specific purpose of providing a tool to clearly define the means through which the Sustainable Water and Natural Resources Management component will operate and achieve the expected outputs. The outline of this manual is as follows:

Chapter 1: Project Background

Chapter 2: Introduction to the Civil Works Implementation Manual

Chapter 3: Roles and Responsibilities of Institutions Implementing the civil works activities

Chapter 4: Civil works Implementation modalities, Governance, Accountability processes and Procedures

Chapter 5: Financial management and Procurement

Chapter 6: Appendices

### **1.2 Project Background Information**

The Upper Tana Natural Resources Management Project (UTaNRMP) is an eight year project (2012-2020) funded by Government of Kenya ( GOK), International Fund for Agricultural Development (IFAD), Spanish Trust Fund (STF) and the Local Community. The **goal** of the project is to “*contribute to rural poverty reduction in the Upper Tana river catchment*”. This

goal is being pursued via two **development objectives** which reflect the poverty-environment nexus namely:(i) increased sustainable food production and incomes for poor rural households living in the project area; and (ii) sustainable management of natural resources for provision of environmental services.

The project area, which is the Upper Tana catchment, covers an area of 17,420 km<sup>2</sup>. The project target area is 28 river basins (24 river basins and the tributaries of the four river basins formerly under MKEPP that drain into the Tana River). The area includes the Mt. Kenya and Aberdares National Parks and surrounding Forest Reserves.

The project area covers six counties namely; Embu, Tharaka Nithi, Meru, Nyeri, Kirinyaga and Murang'a. The Upper Tana catchment is home to 5.2 million people and is under heavy and growing population pressure with a population density of 300 per Km<sup>2</sup>. The project aims at poverty reduction targeting about 205,000 households (1,025,000 people) whose livelihoods revolve around the use of the natural resources of Upper Tana catchment.

These include smallholder crop and livestock farmers, agro-pastoralists, fishers, rural traders, and Community Groups involved in natural resources management (NRM) and income generating activities. Special focus is on women and youth as well as other vulnerable groups within the above categories. The project will provide indirect benefits to the non-target groups in the Upper Tana catchment through services and enterprises linked with the project activities, as well as to populations outside the catchment who rely on water and hydro-electricity from the river system. Project interventions will be progressively implemented beginning with further work on the tributaries of the four (4) MKEPP river basins, twelve (12) priority river basins and then twelve(12) of the remaining twenty eight (28) basins as follows;

**Table 1.1: Project River Basins and their Tributaries**

<b>Tributaries</b> of former Mt Kenya Pilot Project for NRM (MKEPP) River Basins (4)	<b>Ena</b> (Itimbogo, Thuura and Gangara) <b>Kapingazi/Rupingazi</b> (Kiye, Thambana, Itabua and Kathita), <b>Kathita</b> (Gaciuma/Kinyaritha, Kuuru, Riiji), <b>Kithinu/Mutonga</b> (Naka, Nithi, South Maara, North Maara and Thuci)
Twelve (12)High Priority River Basins for UTaNRMP	Maragua, Murubara, Nairobi, Ragati, Rujiweru, Rupingazi, SabaSaba, Thangatha, Thanantu, Thiba, Thika/Sasumua, Thingithu
Twelve (12) Other River Basins for UTaNRMP	Amboni/ Muringato, Iraru, Kayahwe, Chania, Mara, Mariara, Mathioya, Nyamindi, Ruguti, Rwamuthambi, Sagana, Ura

### 1.3 Project Components

The Implementation is through four components namely: Community Empowerment, Sustainable Rural Livelihoods, Sustainable Water Resources and Natural Resources Management and Project Coordination and Management. The planned outcomes are;

Component	OUTCOME
i. Community Empowerment	• Rural communities empowered for sustainable management of natural resources
ii. Sustainable Rural Livelihoods	• Natural resource-based rural livelihoods sustainably improved
iii. Sustainable Water and Natural Resource Management	• Land, water and forest resources sustainably managed for the benefit of the local people and the wider community and
iv. Project Management and Coordination	• Project effectively and efficiently managed

**Component 1: Community Empowerment** This component is designed to empower communities to sustainably manage natural resources. It aims at engaging communities to build their capacity to develop plans aimed at improving NRM while also improving their livelihoods, food security and nutrition. The component therefore supports capacity building at community level through mobilization and awareness raising, establishing and strengthening key community structures and institutions, and development and implementation of community action plans. The outputs of this component include:

- i. Communities with increased awareness of sustainable NRM,
- ii. Key community organizations with increased capacity to manage Natural Resources sustainably, and
- iii. Community Action Plans for livelihood improvement and sustainable NRM.

**Component 2: Sustainable Rural Livelihoods:** This component aims at improving the incomes and living standards of the target group using interventions that are beneficial to the management of the natural resource base. The component's outputs include;

- i. Agricultural packages adapted to various agro-ecological and socio-economic contexts; and
- ii. WUAs successfully adopt or improve farm and/or non-farm income generating activities (IGAs).

The above outputs are achieved through the following sub-components;

- i. **Adaptive research and demonstrations led by KARLO** - This includes On-farm trials and demonstrations, Soil fertility enhancement; and Seed multiplication and distribution. The Kenya Plant Health Inspection Services (KEPHIS) is responsible for regulatory oversight of seed multiplication and distribution while relevant government departments and service-providers are collaborators.
- ii. **Adoption of Income Generating Activities (IGAs) through Common Interest Groups (CIG's)** - This is implemented by providing matching grants (30% by CIG's and 70% by the project). The FFS extension approach will be used mainly to ensure the success of the IGA's over and above other extension methods including demonstrations, study tours and farmer-to-farmer training.

**Component 3: Sustainable Water and Natural Resource Management:** This component is designed to improve the sustainable utilization of water and other natural resources, mainly using Community Groups including the WRUAs, WUAs and the CFAs. The outputs are:

- i. Water resources of the Upper Tana catchment sustainably managed; and
- ii. Sustainably managed forest and agricultural ecosystems.

The outputs are achieved through two sub-components namely;

- (a) **Sustainable Water Resources** – The activities address;
  - i. Sustainable management of water resources: Support for design and implementation of Sub Catchment Management Plans (SCMP) by WRUA's using grants channelled through WSTF and technical advice from WRMA.
  - ii. Community water development and management: Improve access to safe and clean water for domestic uses.
  - iii. Water-saving irrigation technologies: Emphasis on improving irrigation efficiency by use of controlled intake structures, pipes and lined canals to reduce wastage.
  - iv. Remedial works on environmental hotspots: This targets hotspots that contribute to silt loads and pollution to water. The project targets specific problem areas such as road embankments, borrow pits, quarries, denuded hilltops, coffee processing plants, eroding riverbanks, wetlands, springs and urban waste disposal facilities.

- (b) **Sustainable Management of Forest and Agricultural Ecosystems:** this sub-component will focus on:
- i. Rehabilitation of degraded forest reserves: Activities include capacity building of Community Groups in Participatory Forest Management, seedling production, enrichment planting of degraded forests, and the rehabilitation of degraded forest areas.
  - ii. Efficient use of fuel wood: This includes fuel efficient stoves, biogas generators and charcoal kilns through matching grants, together with training in the manufacture and use of such equipment.
  - iii. Human-wildlife conflict: Construction of solar powered wildlife control barriers in Mt Kenya
  - iv. Soil and water conservation on farm lands: This is implemented through matching grants (30% beneficiaries and 70% Project).

**Component 4: Project Management and Coordination:** The component is designed to ensure that the project is effectively and efficiently managed. The objective is to enhance management in implementation and coordination of project activities so as to assess progress made towards achieving project objectives and project impacts.

The key institutional structures that will ensure smooth running of the project starting at the policy level up to the implementation level include: the Project Steering Committee (PSC), Project Coordinating Team (PCT), County Project Coordinating Committee (CPCC) and County Project Facilitating Committee (CPFC). Sub-County Implementing Teams (SCITs) will be established at sub-county levels to support community based institutions such as WRUAs, CFAs, FDACs and WUAs.

The component has two sub- components namely:

- i. **Project Management:** This encompasses Coordination, Planning and financial management (disbursements, procurements and audits).
- ii. **Knowledge Management and Learning (KM&L):** The project will develop a KM&L system that will encompass five key pillars namely: Monitoring and Evaluation; Information Management; Communication; Innovation and Experimentation and Learning and Adaptation.

The expected outputs for the component are:

- i. Fully functional Governance, Management, Monitoring and Reporting systems, and
- ii. Knowledge about Natural Resources Management effectively managed and disseminated to stakeholders.

## **2.0 INTRODUCTION TO CIVIL WORKS IMPLEMENTATION MANUAL**

This manual provides an outline of the processes and procedures to be followed by Community Based Organizations and Water Users Associations in accessing, utilizing and accounting for project resources.

### **2.1 Principles of the Manual**

The following are the key principles of this manual:

#### **a) Clarity / Open information provision/exchange**

- i. Clear definition of roles and responsibilities: Roles and responsibilities for all stakeholders involved in the planning and implementation of projects community based-civil works activities
- ii. Support to Community Groups involved with civil works activities
- iii. Categorization of Proposals
- iv. Proposal guidelines.

The proposal guide lines gives directions to CBOs/WUAs in five main technical areas:

- i. Clarity of proposal content
- ii. Expected outputs
- iii. Scope
- iv. Bill of quantities

#### **b) Empowerment and Equity.**

- i) Empowerment of Community Based Organization (CBOs) and Water Users Associations (WUAs). The manual places the community/Community Groups at the centre of their own development activities and managers of their own destiny.
- ii) Equity of funding across the project area.
- iii) Equity through detailed transparent eligibility criteria. Detailed eligibility criteria for ensuring equity for and the participation of all within a designated group. One element of the prioritization criteria being the determination of how the resources provided and benefits accrued are enjoyed by all the members of the group.
- iv) Strong institutional support links: Clear links between CBOs, WUAs and the respective technical departments and other stakeholders.
- v) Contribution at community level: Community contribution by providing labour, local materials and cash being criterion for eligibility.

#### **c) Transparency and Accountability**

- i. Clear eligibility criteria.
- ii. Public transparency in relation to process and results
- iii. Fiduciary risk: Detailed means provided to reduce risks of absconding and corruption while maintaining respective roles.
- iv. Budget Item: Separation of funds to facilitate clear audit/ trail and funds follow up.
- v. Efficient and effective service provision in supporting the Community Groups and their respective associations. The most effective means of service support, provision clarification on who to determine the most relevant service provider and the means of



- selection and engagement.
- vi. Complaints mechanism: A complaint mechanism to be established together with the process used to register, review and respond to complaints.
  - vii. Public transparency in relation to process and result

## **2.2 Civil Works support to CBO and WUAs**

The UTaNRMP will provide resources in terms of materials and technical support to Community Based Organization, Community Groups and Water users Associations (WUAs) through Project Coordinating Team (PCT) to help them implement civil works activities upon submission of acceptable proposals. The grants will be output-based and will be implemented according to the agreed implementation agreement between the CBO/WUA/Community Groups and UTaNRMP.

The beneficiary CBOs/WUAs/ Community Groups will be required to contribute a minimum of 30% while the project will provide resources to a maximum 70% depending on the project proposal category. On exceptional cases upon application by the very vulnerable members of the community ( e.g. youth groups, people who are physically challenged) or projects that are of public good in nature (e.g remedial works on hotpots, springs, boreholes, dams, shallow wells), the project will support the activity up to 90%.

## **2.3 Integration of Groups' proposals with Government Development Policies**

The proposed community projects must be in line with the relevant sectorial development agenda and progressively align to County Integrated Development Plans (CIDP). Therefore, the relevant technical department/ institution/agency must endorse the Application Form of the proposed project as a means to confirm it's technically feasible and in line with the sector priorities.

The proposed project should not presently be funded by any other development programme. Stalled/incomplete projects and which meet the eligibility criteria qualify for support.

## **2.4 Eligibility Criteria**

**All proposals must:**

- a) Integrate environmental conservation such as tree planting, water harvesting, soil and water conservation or other conservation activities;
- b) Demonstrate how the proposal will contribute to improved incomes and food/ nutrition security;
- c) Demonstrate, whenever relevant, how the following cross-cutting issues have been integrated in the planning, implementation, monitoring and benefits;

- i. Gender equality and social inclusion: Men, Women, youth and vulnerable groups will participate in and benefit from the project;
  - ii. Good Governance: proposed activities are run in a transparent manner and that the Project Management Committees (PMCs) is accountable and engages the project beneficiaries throughout the different stages of project implementation;
  - iii. Prevention of HIV/AIDS and improvement of livelihoods of people living with HIV/AIDS;
  - iv. Participation and non-discrimination of vulnerable groups, such as orphans, elderly and people with physical challenges.
- d) Demonstrate that the proposed project has been collectively identified by the group and is a priority need;
  - e) Demonstrate how the group will monitor the technical and financial aspects of implementation;
  - f) Demonstrate how the outputs will be sustained after completion of the funded proposal.

#### **2.4.1 Eligibility:**

- a) In order to be eligible for support under civil works window, groups **must be**:
  - i. Community Based Organizations (CBOs) registered under the relevant government agencies (either Social Development, Attorney General or Cooperatives);
  - ii. Water Users associations (WUAs) registered under the relevant government agencies (either Social development, Attorney General or Cooperatives);
  - iii. The CBOs and WUAs must have been registered for the last six months.
  - iv. Must demonstrate management of previous initiatives.
- b) The groups are not eligible if they are or have been:
  - i. Bankrupt, being wound up, or having their affairs administered by the courts;
  - ii. Convicted (CBO/WUA officials) of an offence concerning their professional conduct;
  - iii. Guilty of grave professional misconduct (WUA officials);
  - iv. Noted not to fulfil their obligations relating to the payment of the payment of taxes;
  - v. The subject of a judgment for fraud, corruption, involvement in a criminal organization or any other illegal activity; and
  - vi. Subject to a conflict of interest.

**In the "Declaration of Applicant"**, applicants must declare that they do not fall into any of the situations mentioned in 'b' above. The Declaration of Applicants must be **completed and signed**; otherwise the application may be excluded.

#### **2.4.2 Monitoring and Evaluation:**

Applicants should include in their full proposal appropriate measures for monitoring the implementation of the proposed project activities

#### **2.4.3 Number of applications and proposals per applicant:**

- a) A CBO/WUA/community group shall not submit more than one application;
- b) CBO/WUA/community group officials shall not be official in another group applying for support from UTaNRMP;

#### **2.4.4 Eligible cost/expenditure**

Eligible costs/expenditure is that which may be taken into consideration for the civil works support. The categories of costs considered as eligible and non-eligible are indicated below. The budget is both a cost estimate and a ceiling for "eligible costs". Note that the eligible costs must be based on costs to be incurred in the implementation of the project. Eligible costs must be supported by authentic and verifiable documents.

##### **Eligible costs**

Eligible must meet all the following criteria:

- i. They are incurred during the implementation of the proposal;
- ii. Must be indicated in the estimated overall budget of the proposal;
- iii. Must be necessary for the implementation of the proposed project;
- iv. They are identifiable and verifiable, in particular being recorded in the accounting records of the group and determined according to the applicable accounting standards of Kenya; and
- v. Must be reasonable, justified and comply with the requirements of sound financial management.

##### **Community Contributions**

The contribution by the community should either be in cash, materials and labour or all. In such cases, the value of such contributions must not exceed;

- i. Either the costs actually borne and duly supported by accounting documents; and
- ii. Costs generally accepted based on existing market rates.

If the applicant WUA/CBO/Community Group proposes co-financing in kind, this must be included in the budget of the Proposal Application.

## **Ineligible costs as per the proposal**

The following costs are not eligible:

- i. Provisions for losses or debts;
- ii. Interest owed;
- iii. Items already financed in another framework;
- iv. Purchases of land or buildings;
- v. Credit to third parties;
- vi. Top-ups and salaries, whether from the applicant or its partner;
- vii. Administrative overhead costs ( utility costs, Rent, etc)

### 3.0 ROLES AND RESPONSIBILITIES OF INSTITUTIONS IMPLEMENTING CIVIL WORKS ACTIVITIES

#### 3.1 Overview of Institutional Responsibilities and Relationships

A conceptual overview of the potential stakeholders involved in supporting the implementation of the civil works activities is presented. This is followed by a brief presentation of the roles and responsibilities of the respective institutions.

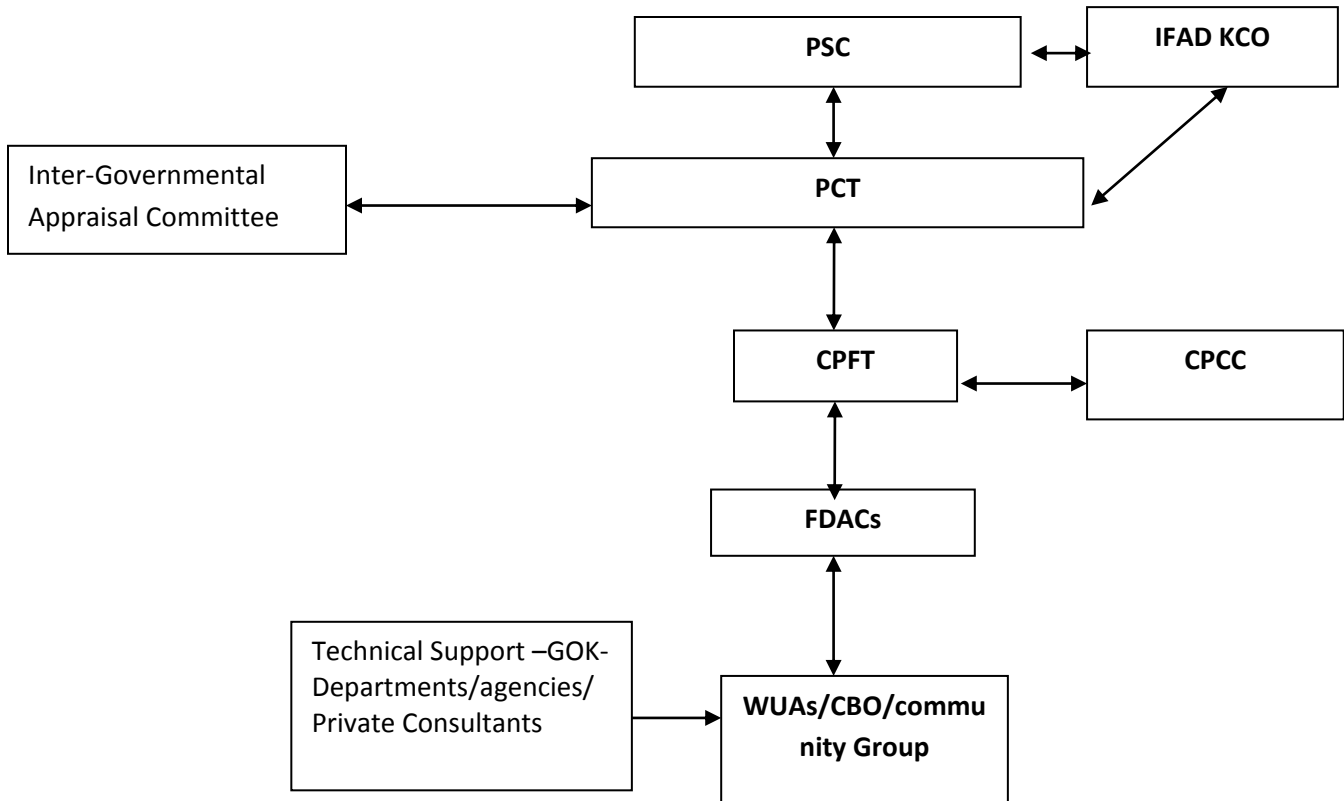
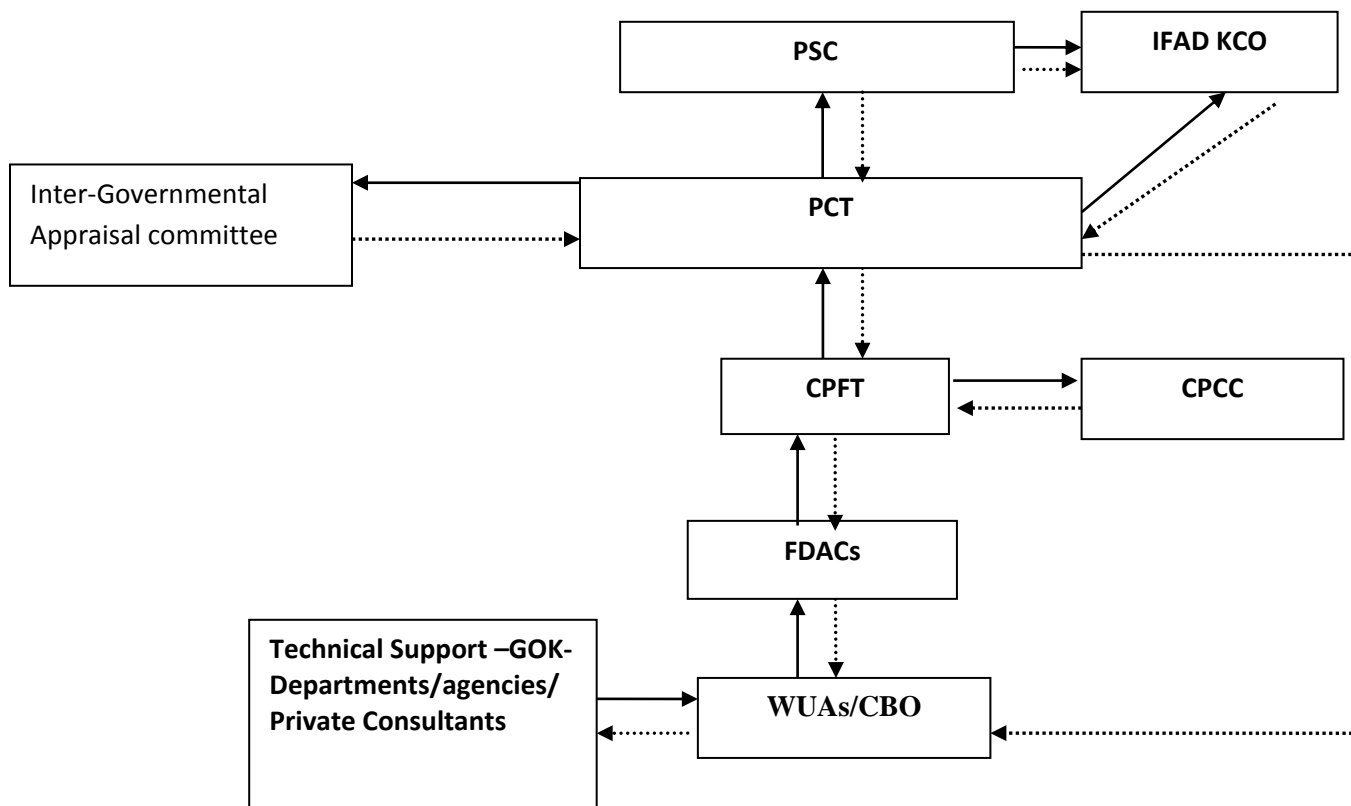


Figure 1: Institutions in project's community civil works activities



**Figure 2: Flow of Information among the Institutions**

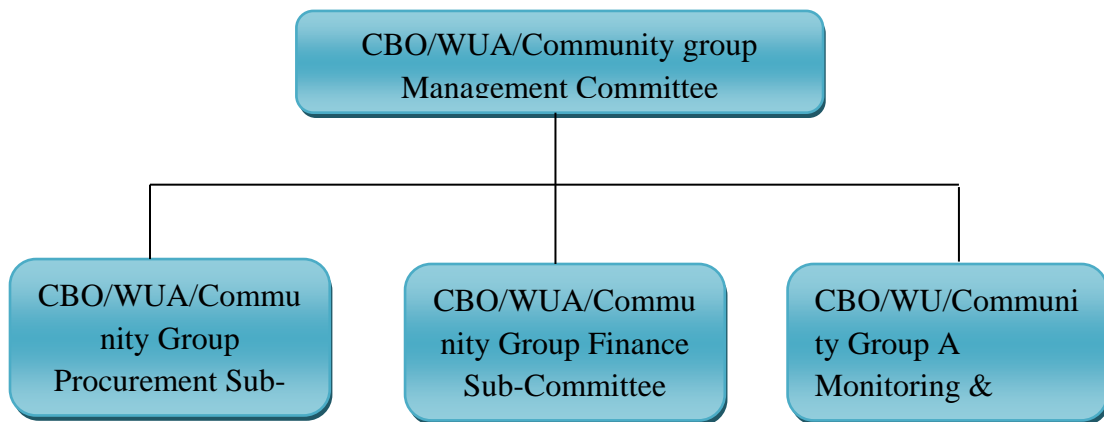
### **3.2 Roles and Responsibilities of CBOs/ WUAs/Community Groups**

The members of the respective CBO/WUAs /Community Groups are the direct beneficiaries. The CBO/WUAs/ Community Groups are represented in the respective WRUAs and CFAs. The CBO/WUAs /Community Groups and its members are the recipients of resources provided to support Water Resources Management and conservation of environment.

The CBO/WUAs /Community Groups are responsible for:

- i) Electing their officials as per their by-laws and constitution;
- ii) Attending all meetings and contribute to the activities of the group in accordance with its by-laws and constitution;
- iii) Writing proposals for funding;
- iv) Ensuring that the required community contribution is provided;
- v) Participation in the Procurement of goods, works and services;
- vi) Accounting for financial and material resources;
- vii) Implementing the activities in accordance with the rules specified within this manual;
- viii) Attending trainings as required by this manual;
- ix) Monitoring the activities of the group and preparing regular reports as required by this manual (Per agreed milestones).

The management structure of the CBO/WUAs/Community group will reflect the structure presented below to support the separation of roles and responsibilities and to ensure necessary checks and balances in support of transparency



**Figure 3: WUA/CBO/Community Group Sub Committees**

Each of the subcommittee has its own roles and responsibilities, which are defined below:

### **3.2.1 The CBO/WUA/ Community Groups Management Committee**

The management committee is composed of the Chairperson and his/her deputy, treasurer, secretary and his/her deputy and a few committee members.

Their responsibilities include:

- i. Ensuring group meetings are held as per their by-laws and constitution;

- ii. Overall oversight and management of the funded activities;
- iii. Approval of budget;
- iv. Ensuring funds received are properly accounted for and there is value for money.
- v. Ensuring that once they are informed that their CBO/WUA /Community Groups has been provisionally selected as a recipient of support under the UTaNRMP matching grants for the civil works activity, they will fulfill the requirements within the specified time;
- vi. Adhere to the activity (work) plan and budget;
- vii. Ensure operation and maintenance manual is adhered to sure sustainability.

### **3.2.2 The CBO/WUA/ Community Groups Procurement Sub-Committee**

They are responsible for:

- i. Participation in the procurement of goods, works and services;
- ii. Ensuring that items procured are of high quality and right quantities;
- iii. Ensuring that items once procured are inspected, recorded, stored, issued and utilized;
- iv. Maintaining adequate records.

### **3.2.3 The CBO/WUA/ Community Groups Finance Sub-Committee**

They will be responsible for:

- i. Preparing the itemized budget;
- ii. Authorizing all financial transactions;
- iii. Giving independent reports on the usage of funds during group meetings,
- iv. Prudent financial book keeping;
- v. Safety of bank account and cash balances; and documents
- vi. Ensuring that all financial records are up to date to facilitate any audits;
- vii. Preparation of a statement of the accounts on a monthly basis;
- viii. Ensuring that the information relating to the utilization of funds, amounts paid and to whom, are available to the members of the CBO/WUA;
- ix. Fund- rise for more funds to sustain the activities funded by the project.

### **3.2.4 The CBO/WUA/ Community Groups Monitoring and Evaluation Sub- Committee**

The committee will be responsible for:

- i) Monitoring the use of funds and other resources;
- ii) Ensuring implementation milestones are on schedule;
- iii) Ensuring high standards of works and services;
- iv) Providing independent reports as required;
- v) Ensuring all information including that which is relevant to the other sub-committees is publicly available, discussed and displayed.

## **3.3 Key Technical Departments/Service Providers**



A number of key relevant departments whose technical support to the CBO/WUA/community Group is fundamental to the success of the implementation of the civil works activities include but not limited to:

- i. Department of Agriculture;
- ii. Department of Livestock;
- iii. Department of Cooperatives;
- iv. Department of Water;
- v. Department of Irrigation;
- vi. Department of Fisheries;
- vii. Department of Social Development;
- viii. National Environment Management Authority (NEMA);
- ix. Kenya Forest Service (KFS);
- x. Kenya Wildlife Service (KWS);
- xi. Water Resource Management Authority (WRMA);
- xii. Kenya Agricultural and Livestock Research Organization (KALRO);
- xiii. Private consultants.

As the case may be, each of the service providers will be responsible for:

- i. Providing technical advice and know how as appropriate in relation to the scope and content of the proposed project activities;
- ii. Acknowledging / endorsing the proposals in the application process;
- iii. Providing support, including technical advice at all stages of activity implementation; and
- iv. Reporting on the progress of the funded activities including funds utilization- the reports should be to the PCT and the County Project Coordinator.

### **3.4 Focal Development Area Committees (FDACs)**

The FDAC is a community representatives committee elected to oversee the planning, implementation, monitoring and Evaluation of UTaNRMP activities within a Focal Development Area. The FDA's are sub-sets of WRUA's with a population of 800-1200 Households.

The roles of FDACs include:

- i. Mobilizing communities (CBO/WUA's) within the FDA to write proposals in conformity with the developed Community Action Plan;
- ii. Endorsing the written proposals;
- iii. Coordinating implementation of all project activities,
- iv. Keeping minutes and records of all their meetings and proceedings,
- v. Conflict resolution within the CBO/WUA members,

- vi. Ensure sustainability of funded projects,
- vii. Continuously plan for the way forward on behalf of the community,
- viii. Ensuring availed resources are used for the planned activities by the CBOs/WUA's,
- ix. Monitoring implementation milestones and submitting quarterly reports to the sub county/ county technical teams.
- x. Account for monitoring funds given by PCT.

### **3.5 County Project Facilitation Teams (CPFT)**

County Project Facilitation Teams is composed of Government technical departments/agencies charged with responsibilities of planning, overseeing implementation and monitoring project activities at the county level.

CPFT is composed of County Project Coordinator; County Ecosystem Conservator; County Director of Water Services; County Director of Environment; County Director of Agriculture; County Director of Social Development, County Director of Planning; County Director of Veterinary Services; County Director of Livestock Production; County Director of Fisheries; County Commissioner of Cooperatives; County Accountant- National Government and County Auditor- National Government.

CPFT will be responsible for:

- i. Ensuring there is adequate mobilization and publicity of resources and requirement for the assistance to ensure equity and fair geographical/enterprises distribution;
- ii. Receive and consolidate the county proposals;
- iii. Screening of activities within the county to avoid duplication of activities from different stakeholders;
- iv. Forward their recommendations to PCT and inform CPCC;
- v. Communicating the approved proposals to the respective WUAs/CBOs/Community Groups through FDACs;
- vi. Coordinating capacity building of the WUAs whose proposals have been approved;
- vii. Quarterly monitoring of the implementation milestones and submitting reports to PCT and CPCC.

### **3.6 County Project Coordination Committee**

County Project Coordination Committee is the county policy organ responsible for:

- i. Giving policy direction on county development priorities to all stakeholders;
- ii. Harmonization of activities within the county to avoid duplication of activities from different stakeholders'
- iii. Approving county AWPBs.

CPCC is composed of: County executive committee member (chair); County Chief Officers/directors Responsible for: Water, Environment, Agriculture and Livestock, Fisheries, Social development(National), Planning, Cooperatives, County Project Coordinator, NEMA, KWS, KFS and WRMA, any other co opted members.

### **3.7 Project Coordinating Team (PCT)**

The PCT is the technical Secretariat of UTaNRMP. PCT will be responsible for:

- i. Preparation and review of the civil works manual;
- ii. Call for proposals;
- iii. Receiving of proposals;
- iv. Formation of inter-Governmental technical appraisal committee from relevant departments to carry out desk and field appraisal. The committee will be composed of representative of the respective technical departments, the counties and National government with PCT as the secretariat.
- v. Contracts and implementation Agreement 's management;
- vi. Monitoring of implementation milestones;
- vii. Coordinate capacity building activities;
- viii. Ensuring information required by the CBOs/WUAs is available using various media;
- ix. Compiling and disseminating relevant reports;
- x. Maintaining a database of project implementation and sharing with all stakeholders;
- xi. Submitting recorded proposals to PSC and IFAD for approval
- xii. Periodic reporting to PSC and IFAD

### **3.8 Project Steering Committee (PSC)**

The PSC is the policy level arm of UTANMP with representatives from all the Ministries implementing the project. The PSC is chaired by the Principal Secretary of the Lead Agency namely the Ministry of Water and Irrigation. The PSC will be responsible for:

- i. Giving policy direction and guidelines on national development policies and priorities;
- ii. Periodic review of this manual;
- iii. Reviewing and approving AWPBs;
- iv. Approving civil works projects for funding.
- v. Ensuring the role and functions of the respective stakeholders are adhered to;
- vi. Recommending to the donor any relevant implementation changes to ensure achievement of the project goal ; and
- vii. Overall performance of the project

### **3.9 International Fund for Agricultural Development (IFAD)**

The International Fund for Agricultural Development will be responsible for:

- i. Reviewing and approving this civil works manual and any subsequent reviews;
- ii. Reviewing and approving AWPBs;
- iii. Giving the required no objections; and
- iv. Supervision and implementation support.

## **4.0 CIVIL WORKS IMPLEMENTATION MODALITIES, GOVERNANCE, ACCOUNTABILITY PROCESSES AND PROCEDURES**

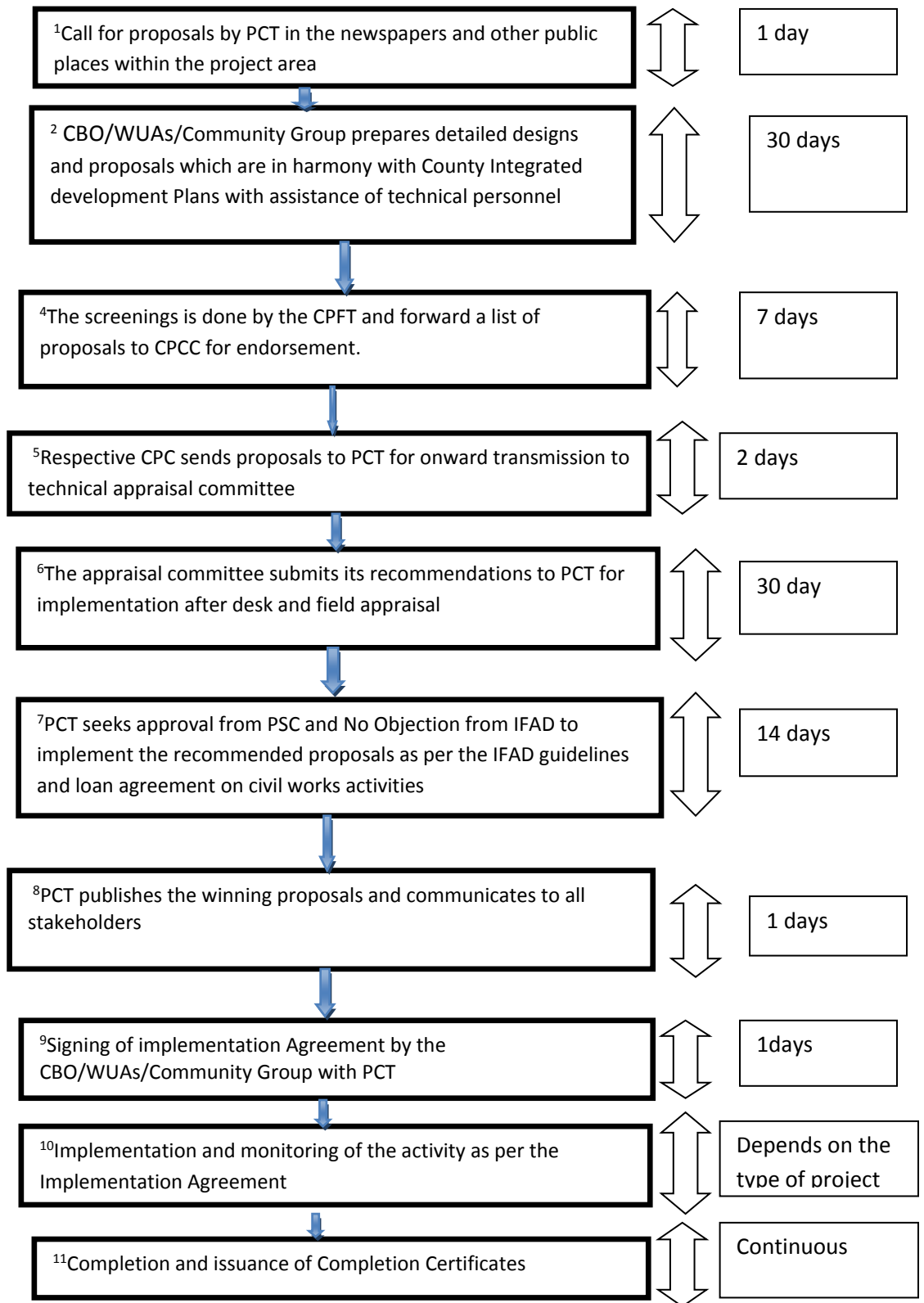
### **4.1 Introduction**

This chapter provides an overview of how UTaNRMP community managed civil works activities are to be implemented i.e. Processes and procedures, governance and accountability

### **4.2 Civil works activities, Processes and Procedures**

The community civil works activities follow a defined pathway starting from when the CBO/WUAs develop their proposals; The proposals pass through several stages, each with specific-own role and relevance to the ultimate successful implementation. It is estimated that it will take 100 days before a successful proposal finally gets the green light to enter the implementation stage. Once implementation commences, monitoring of the CBO/WUAs project is undertaken by the various teams to ensure successful implementation and upon completion, a completion certificate is awarded to the CBO/WUAs.

The process is as depicted in Figure 4 below.



**Figure 4: Proposal implementation Process**

**Table 4.1: Explanation of the flow Chart for implementation process**

No	Main activity	activities	Time frame(days)	Where
1	Call for proposals by PCT in the newspapers and other public places	The PCT advertises in two media houses with national coverage. Posters are also placed in public places including schools, chief's offices and Sub-County offices.	1	PCT
2	CBO/WUA prepares proposals	CBO/WUA/Community Groups prepare, detailed technical designs, proposals with assistance of technical personnel. The proposals should be aligned to the respective CAPS and county strategic plans	30	Focal development areas
3	Endorsement of the proposals by FDAC	The FDAC, verifies that the CBO/WUA/Community Group is situated in their area of jurisdiction and the <u>activity is proposed in the community action plans</u> . The CBO/WUA/Community Group endorses the proposal as appropriate by signing and putting FDA rubber stamp	7	Focal Development Areas

4	Initial screening by the CPFT	<p>Initial screening is done by the CPFT to ensure that the proposals are aligned with the respective county strategic plans and harmonize with other proposals from the other development partners in the county.</p> <p>Signing by county project coordinator of the proposals</p> <p>Summarizes the proposals and submits the list of the proposals to the CPCT for endorsement</p>	14	County
5	Receipt of proposals by PCT from the counties	<p>PCT receives the proposals from the county;</p> <p>Forms a technical appraisal committee composed of officers from the relevant Departments of the national and county governments.</p> <p>Hands over the proposals to the appraisal committee for desk and field appraisal</p>	3	PCT



6	Desk and Field inter-government appraisal committee	<p>The committee undertakes a detailed desk review for all the proposals and generates a list of those qualified for field verification</p> <p>Conducts a field verification of the proposals viability.</p> <p>Compiles a recommendation report.</p>	14	Appraisal committee
7	Approval by PSC and IFAD	PCT Submits those the recommended proposals to PSC for approval and no objection to implement to IFAD as per IFAD guidelines and loan agreement	14	IFAD Country Office
8	Publish the winning list of WUAs/CBOs /Community Groups	PCT communicates the winning list of projects /activities through newspapers and through a letter to the respective WUAs /CBOs /Community Groups	1	PCT
9	Signing of the Implementation Agreement between the WUA/CBOs/Communi	Groups' deposits 10% cash contribution in designated accounts.	1	CBO/WUA/ and PCT//Community Groups

	ty Groups and the PCT	Signs an Implementation Agreement with UTaNRMP		
10	Implementation and Monitoring	Implementation is undertaken as per the signed Implementation Agreement;  supervision is undertaken by the respective technical department; Monitoring is undertaken by the CPC, Respective County staff and PCT.	Depends on the size of the project and mode of implementation agreed upon	CBO/WUA/Community Groups and PCT
11	Completion and issuance of Completion Certificates	This will be done after the project is complete and the group has been trained on Operation and maintenance of the system.	Continuous process since the projects will not be completed at the same time	PCT

### 4.3 Categorization of CBO/WUAs/Community Groups Activities

There will be two categories of CBO/WUAs projects to be funded under the matching grants category of the loan. All projects to be funded must contribute to improvement of Natural Resources Management (NRM). The activities will vary in size, costs, type, and duration of implementation, similarity, uniqueness and complexity.

Category A: Private good activities (Direct individual beneficial activities)

Category B: Public good activities (NRM activities)

Category A includes activities that contribute direct benefits to the households in terms of income, social and food security as well as contributing to NRM. These include:- improvement of intakes and upgrading of domestic water supply systems, upgrading of small scale irrigation projects and demonstrations on roof water harvesting.

These groups will be required to procure the services of qualified technical personnel who will assist them to come up with the technical requirements for the project. The group then writes a proposal to be assisted and attaches the detailed technical drawings, the design and bill of quantities of the proposed activity.

These activities will be funded in the ratio of maximum of 70% by the UTaNRMP and minimum of 30% by CBO/WUAs. However, special consideration will be given to CBO/WUAs mainly composed of the **youth and vulnerable persons** (e.g. visually impaired, physically challenged, hearing impaired). These CBO/WUAs will be funded in the ratio of 90% by the project matching grants and 10% being the CBO/WUAs contribution because of the nature of their disability and their inability to raise the minimum requirement of 30% under this category.

**Category B** includes special NRM activities that have no private-benefits to the WUAs but contribute to the public good and overall environmental conservation. The benefits to the CBO/WUAs may be long term in nature and cannot be pre-quantified. These activities require the efforts and participation of all members of the CBO/WUA e.g. civil works on Soil and Water conservation, community NRM (River bank & road conservation and gully healing), rehabilitation/development of alternative water sources (e.g. springs, shallow wells, boreholes and small scale community managed dams). These activities will be funded in the ration of 90% by the project matching grants and 10% by CBO/WUAs. These groups will be required to procure the services of qualified technical personnel who will assist them to come up with detailed designs and drawings as technical requirements for the activity proposed. The group then writes a proposal to be supported in the with implementation of the activity.

#### **4.4 Eligibility Criteria**

This section enumerates the criteria which CBO/WUAs must meet for them to be funded.

##### **4.4.1 General Criteria**

The CBO/WUA must meet the following conditions:

- i. Registration:** The CBO/WUA/Community Group must be registered with a government institution and have a current registration certificate. The group must have been in existence for the last six months.

- ii. **Current Membership:** The CBO/WUA must have a minimum of 15 individual members to ensure that there are enough members for various sub committees and benefits are widespread.
- iii. **Members of respective FDAC:** The CBO/WUA must be within an FDA
- iv. **Names of Management Committee:** The CBO/WUA must provide the names and signatures of not less than three of its management committee members when submitting the proposals.
- v. **Line department/agency acknowledgment:** The proposals must be endorsed by the line department/agency.
- vi. **Bank account: the CBO/WUA must have a bank account** and attach a copy of the most recent bank statement.
- vii. The CBO/WUA must be within the project area.
- viii. The CBO/WUA must give a statement that the proposal is not being funded by another agency;
- ix. The CBO/WUA members must not have been involved in any fraudulent activities.
- x. The CBO/WUA executive members must not have integrity issues as per chapter six (6) of The Constitution of Kenya (2010).

#### **4.4.2 Criteria for First level funding**

Apart from the criteria outlined in section 4.4.1, the CBO/WUA must also meet the following conditions:

- i) Apply for the funding in a specified proposal forms;
- ii) Seek relevant technical advice;
- iii) The activity to be funded must be relevant to the UTaNRMP objectives;
- iv) Meet the specified CBO/WUA contribution;
- v) Endorsement by the relevant community institutions;
- vi) The proposed activity must be within the specified category of ceilings;
- vii) The proposal must be endorsed by all CBO/WUA members with copies of their national identity cards attached;
- viii) The CBO/WUA must be willing to abide by the provisions of the project;

#### **4.4.3 Criteria for the subsequent Funding**

The main criteria for subsequent funding will be the completion certificate issued for successful completion of activities in the 1<sup>st</sup> level funding. In addition, the WUAs funded previously, can apply for the second funding if they meet the following:

- i. Must meet the general criteria under 4.4.1 above;
- ii. Must meet the criteria for first level funding as in 4.4.2 above;
- iii. Must provide Activity implementation Plan: Attach to the proposal a detailed implementation plan of proposed CBO/WUA enterprise/activity.
- iv. Must have a completion certificate for project under the earlier funding.

#### **4.5 CBO/WUA Activity Criteria for Funding**

The activities under the UTaNRMP matching grants to CBO/WUAs/Community Groups should have positive impact on natural resources.

**Table 4.2: Categories of Proposals**

No	Category	Activity Characteristic
1	Category A: WUA/Community Groups activities	<ul style="list-style-type: none"> <li>• Implementation period (one to three years)</li> <li>• Contribute to individual household incomes, social benefits</li> <li>• Contribute to food security/Nutrition, hygiene, access</li> <li>• Improves NRM</li> <li>• May be innovative in nature</li> <li>• Community contribution will be 30% of the total cost of the proposal. Examples are :- Development/Rehabilitation of intakes and domestic water projects, Development/Rehabilitation/upgrading of Irrigation projects,</li> <li>• <i>Funding ceiling of up to Kshs. 50.0 Million</i></li> <li>• <i>These activities will have community contribution minimum level of 30%(10% cash contribution and 20% in form of labor and/or materials)</i></li> </ul>
2	Category B- NRM Special activities(CBOs)	<ul style="list-style-type: none"> <li>• Contribute to the overall environmental conservation.</li> <li>• The benefits to the CBO/WUA are long term in nature and cannot be pre quantified</li> <li>• Requires participation of all CBO/WUA members</li> <li>• May cover a bigger geographical area</li> <li>• May be innovative in nature</li> <li>• Implementation period may be more than 12 months some of the activities include but not limited to:-</li> <li>• Development/Rehabilitation of springs,</li> <li>• Development/Rehabilitation of shallow wells,</li> <li>• Development/Rehabilitation of boreholes,</li> <li>• Development/Rehabilitation of dams,</li> <li>• Rehabilitation of hotspot</li> <li>•</li> </ul> <p>The activities are of common good</p> <ul style="list-style-type: none"> <li>• <i>Funding ceiling of up to Kshs. 50 Million</i></li> <li>• <i>These activities will have community contribution</i></li> </ul>

		<i>minimum level of 10% (3% cash contribution and 7% in the form of labor and/or materials)</i>
--	--	---

**4.6 Community Contributions**

Community contribution will vary according to the categories. Community contribution will be in form of

- i. Cash
- ii. Unskilled and skilled labour
- iii. Materials
- iv. Combination of all cash, skilled and unskilled labour and materials.

The contributions must be quantified in the proposal.

**Category A:** The community contribution for this category will be a minimum of 30% distributed as follows;

- i. Cash-10%
  - ii. Unskilled and skilled labour
  - iii. Materials
- } 20%

The respective contribution in terms of cash, labour and material will be determined on case by case basis and in some instances the project may support the proposal up-to 90% depending on the vulnerability of the group.

**Category B:** The community contribution for this category will be a minimum of 10% distributed as follows;

- i. Cash- 3%
  - ii. Unskilled and skilled labour
  - iii. Materials
- } 7%

**4.7 Appraisal Criteria**

The desk and field proposal appraisal forms with Check List and Scoring by the appraisal committee are shown in **appendix1, F3.**

The following conditions must be met:

**4.7.2 Conditions for implementation**

The following conditions must be met by the CBO/WUA/Community Group before any assistance is availed:-

- i) The latest bank statement of the UTaNRMP designated bank account showing their cash contribution;
- ii) Activity Implementation Plan in;
- iii) Full Names, mobile and contact details of: Chairperson, members of the Management Committee and members of the various sub-committees (Procurement, Monitoring and Finance);
- iv) Community Groups' postal and physical address, mobile number, and email addresses;
- v) Signing an Implementation Agreement between the CBO/WUA/Community Groups and UTaNRMP

## **4.8 Implementation Modalities**

### **4.8.1 Trainings**

Trainings will budgeted by the respective department as per the government rates. The type of technical support required will be naturally influenced by the nature of the activities proposed. The trainings will vary between nine to fifteen sessions depending on the nature of the project proposal.

### **4.8.2 Supervision and Monitoring**

#### **i. FDACs**

FDAC will be funded for supervision and monitoring of civil works activities. The FDAs will be allocated Ksh.10, 000 for activities costing Ksh.5 million an below and Ksh.20, 000 for activities above 5 million on milestone basis.

The funds will be provided as a block in respect to monitoring and reporting on the respective activities. The amount will be part of the project funds under civil works category and not funds from CBO/WUA/Community Group proposal.

This amount be considered as revenue for services provided/to be provided in support of the implementation process. A separate bank account for receipt of this fund will be required. The fund utilization will be audited in accordance with the regular audit requirements of government. The FDACs are however required to prepare a monitoring plan and share with the PCT for concurrence before funds are disbursed.

## **4.9 Annual Case Studies**

The PCT will continuously document case studies to help in lessons learning. This will provide valuable insight into the process supporting improvements to the matching grants system. The case study will flag out cross-cutting issues touching on gender, HIV/AIDS, environment, transparency and accountability, service delivery, empowerment and equity among others. This will also inform the decisions PCT will make regarding the administration of civil works category.

## **4.10 Award of Completion Certificate**

A project is deemed to be complete when a Certificate of Completion has been issued by PCT with the recommendation from the respective line Department. The format for the Completion Certificate is as shown in **Appendix 5, of 4: Completion Certificate**.

The process of preparing and submitting the Completion Certificate is as follows:

- i) The CBO/WUA/Community Group sends a request for final inspection of its project to relevant technical office(s) supervising the implementation with copies to FDACs;
- ii) The relevant technical office(s) carries out the inspection and fills the Completion Certificate forms once certified that the outputs have been achieved;
- iii) The Completion Certificate forms are endorsed by FDACs, respective department and CPC;
- iv) The endorsed completion certificate forms are forwarded to PCT for issuance of completion certificate; and
- (v) The Completion Certificate will be issued to CBO/WUAs/ Community Group in a public gathering organized by the FDAC.

## **4.11 Governance Framework**

### **4.11.1 Transparency**

All activities relating to civil works manual will be implemented in open and transparent manner. The activities to be funded will originate from the Community Action Plans (CAPs) developed through the PRA process to address the community felt needs. All the communities and stakeholders within the project river basins will be sensitized on the availability of support to ensure that there is equity during application for the support.



In order to ensure that the CBO/WUAs/Community Groups are involved in project cycle (Initiation, planning, implementation, monitoring and Evaluation) UTaNRMP will use barazas, churches, mosques, print and electronic media targeting intended beneficiaries. This will ensure enhanced disclosure of information to all interested groups to ensure participation.

The project has developed detailed processes and procedures for the CBO/WUA/Community Groups / to access the project resources. These include; Call for proposals, eligibility criteria, screening, appraisal of proposals, public announcement of the successful proposals, funding mechanisms and implementation modalities through this civil works manual which is a public document.

#### **4.11.2 Accountability**

The ownership and accountability of the support to CBO/WUA will be the sole responsibility of the respective CBO/WUA/ /Community Group members.

Various stakeholders have been given clear roles and responsibilities in the administration of the grants. The CBO/WUA/Community Groups will be funded in phases according to agreed milestones which will be verified by the respective monitoring teams. The minimum number of CBO/WUA/Community Group's members is set at 15 members to ensure that respective sub committees (Finance, Procurement, Monitoring and Evaluation) are independent and have enough members to check the executive.

The CBO/WUA /Community Groups will sign MOUs with FDACs for implementation support and sign MOU with PCT implementation and acceptance of responsibility and liability for resources received.

- The FDACs will be funded to carry out M&E effectively and will be held responsible for the CBO/WUA under their supervision in order to ensure that the resources received are properly utilised and accounted for, in order to get value for money.

CPFT will be funded by the PCT to carry out supervision and monitoring of CBO/WUA activities to ensure effectiveness and efficiency in utilization of funds. CPFT feedback will be send to PCT for timely decision making and necessary backstopping. A register indicating the type of technical advice given to a group by the technical officers will form part of the monitoring.

PCT will be responsible for the management of project funds in terms of procurement of works, goods and services. The PCT will also be responsible for accounting of project funds to the various financiers.

The project resources will be allocated fairly and competitively among the CBOs/WUAs/Community Groups based on the developed CAPs and conditions (e.g. contribution percentage 30% /70% and 10%/90% depending on category) and the allocation of resources and their utilization must be within approved AWPB.

#### **4.11.3 Fiduciary Aspects**

Fiduciary risk means the risks of monies being misused when funds are transferred from one party to another for a specifically agreed purpose. All parties must ensure that the party receiving the funds, in this case the CBO/WUAs/Community Groups / will ensure that the following conditions are met:

- i) The funds are used properly and accounted for;
- ii) The funds are used for the intended purpose;
- iii) The use of funds results in value for money;
- iv) That the accounting records and related transactions are maintained.

The capacity of the CBO/WUAs/Community Groups to keep proper books of accounts and account for funds received and used is a pre-requisite to the development of proper financial systems which empowers the groups to receive funds and manage their own development. Emphasis will be placed on ensuring the provision of necessary tools and systems which support accountability.

#### **4.11.4 Reduction of Fiduciary risks**

The project will ensure that the CBO/WUAs/ Community Groups are capacity built on financial management skills to ensure proper record and book keeping which will lead to prudent utilization of project funds. The CBO/WUAs/Community Groups will have an independent financial subcommittee which will ensure prudent utilization of funds.

The CBO/WUAs /Community Groups will be supported as per the agreed milestones in the Implementation Agreement. The CBO/WUA/Community Group milestones must be assessed by the respective technical offices and FDACs before any subsequent support is given. FDACs will be carrying out monitoring visits to the CBOs/WUAs/Community Group to assess implementation progress as per agreed activity plans. The project funds will be audited by internal auditors at the counties and Kenya National Audit Office (KENAO). IFAD will continue to offer supervision and implementation support to the project.

#### **Table 4.3: Summary of Risks and their mitigation measures**

<b>Nature of risk</b>	<b>Risk rating</b>	<b>Mitigation Measures</b>	<b>Action By:</b>
Few proposals are received from CBO/WUA//Community Groups	Low	Public announcements using both print, electronic media, public places (churches, schools, shows/exhibitions) and sensitization barazas to announce the availability of the assistance. Posters will be availed to all FDAC during the call for proposals	PCT
Too many proposals qualify for funding	Medium	Reallocation of funds to category III in the event of low absorption in any other category.	Lead agency, Borrower & PCT
Nonexistent /Community Groups CBO/WUA/ applying for funding	Medium	Eligibility criteria clearly set Endorsement by FDACs Screening by line ministries/ agencies Field verification by appraisal committee	PCT FDACs Line ministries/Agencies
Misuse of funds by CBO/WUA/Community Groups	High	Training of the CBO/WUA/Community Group on financial management and governance. Clear roles and responsibilities within the CBO/WUA/Community Group through sub committees. Eligibility criteria provides track record of CBO/WUA/Community Group for subsequent funding Monitoring and supervision by FDAC Field verifications WUA management held individually and collectively responsible for funds received.	CPFT/ PCT Line ministries/ agencies and CBO/WUA/Community Groups / PCT FDAC and PCT Appraisal committee PCT/ CBO/WUA /Community

		Imposing severe sanctions on funds misuse.	Group /management  PCT
other resources by the CBO/WUA/Community Group	Medium	Each CBO/WUA management is held individually and collectively responsible for funds received.  PCT suspends any further assistance to the CBO/WUA until the concerned WUA properly accounts for the loss and re-imburses the loss. PCT Suspends any other funding to the FDAC and the monitoring funds used to recover the loss.	CBO/WUA/Community Group  SCGSDO  FDACs  PCT
Outputs for specific CBO/WUA/Community Group activities not realized due to external factors ( e.g. Weather, inflation, political instability)	Medium	CBO/WUA/Community Group to factor in weather pattern when scheduling their activity.  Documentation of events and certification of same by technical line ministries/agencies for possible subsequent funding.	CBO/WUAs/Community Group  PCT, Line ministries/agencies & CBO/WUAs
WUA/Community Groups/CBO/ activities has negative environmental impact	Medium	Check schedule 2 of EMCA 2009 during appraisal stage.  Undertake EIA where required and develop Environmental Management Plan. Implement the EMP and undertake Environmental Audits	CPFT &CBO/WUA
Delayed release of project resources/materials to the CBO/WUA	Medium	Implementation activity plans and projected cash flow plans Prioritization of CBO/WU/Community Group activities  Timely preparation of SOEs, WAs	PCT  Lead agency  PCT  PCT

		Timely call for proposals	
Misallocation of project resources at the PCT	Low	Adherence to the approved work plans and the internal financial control mechanisms. Reviews by PSC/IFAD missions	PCT PSC/ IFAD
Community Groups lack the necessary capacity to effectively discharge project duties leading to one person doing everything e.g. recording transactions into the books of accounts, authorizing transactions, receiving or expending funds, recording alterations or adjustments, and reconciling financial system transactions	High	Training of the CBO/WUA / Community Group on project management and implementation and governance for sustainability  Monitoring and supervision by FDAC  Support by technical department	CPFT and PCT  FDAC  Technical departments/ agencies
Lack of ethics and integrity by community representatives including political and administrative collusion interference.	High	CBO/WUA management trained on governance and management	PCT/ CBO/WUA /Community Group/management

#### 4.11.5 Complaints Handling Mechanism

Apart from the internal mechanisms of handling complaints within the CBO/WUAs, FDACs, the project will establish a CPFT complaint subcommittee composed of: Social Development Office (Chair); County Project Coordinator and the relevant county implementing department/ agency from which the CBO/WUA/Community Group with the complaint falls and any other co-opted member up to a maximum of five (5).

In addition, a copy of all the complaints reported at the County Complaints Subcommittee shall be forwarded to the PCT for information and relevant action. The PCT shall set up complaints box and register where complaints will be dropped and registered. PCT will establish an ad hoc sub-committee to handle all the complaints

#### **4.11.6 Sanctions and Remedies**

These are the actions that will be taken when funds are reported or suspected to have been misused by the CBO/WUA/Community Groups:

- a) Stop all the withdrawals from the CBO/WUA/Community Groups account by the Sub - County SDO;
- b) No further project proposals will be awarded or received from the CBO/WUA in the respective FDA until all the funds/ materials lost are re-embursed;
- c) PCT shall request the internal audit department at the county to audit and investigate the CBO/WUA/Community Groups and share the report with the CPFT and PCT complaints subcommittees;
- d) Recovery- the CBO/WUA/Community Group account signatories will be required to refund the misappropriated funds within 2 weeks after audit;
- e) If the funds are not paid within the stipulated time, FDAC monitoring funds will be used to recover the loss; and
- f) Prosecution of culpable culprits.

#### **4.12 Alterations and amendments to this manual**

This manual is a living document and will from time to time be reviewed to support its effective and efficient application. Once approved by the PSC and IFAD, the manual will be posted on the project website. Any contextual changes to this manual shall be approved by PSC and IFAD as may be necessary and the revised version (bearing month and year) shall be posted on the project website as well as making it available for public distribution.

## **5.0 FINANCIAL AND PROCUREMENT MANAGEMENT**

This chapter provides guidelines for planning and managing procurement and financial aspects by CBO/WUA/Community Group, and similar civil society groups benefiting from the project resources.

### **5.1 Introduction**

The aim of this chapter is to: Provide the basic financial and procurement guidelines for use by various stakeholders who are managing the community projects; puts in place systems and policies that will safeguard the projects resources/assets; simplifies the process of procuring and producing financial information/reports; enhance the financial and operational performance; improve accountability to all external parties including government, IFAD, auditors and other stakeholders; enhance Community members' participation in applying scarce resources; prepare the beneficiaries for long-term financial sustainability and provide a reference material for community members and other interested parties. It is important to note that this manual proposes that the CBO/WUA should contribute atleast 10 per cent or 3% cash contribution (depending on the category) for the proposed activity which the group must account for. This Chapter therefore discusses processes and procedures that the groups will use in utilising the cash contributions.

### **5.2 General Provisions**

Community members shall not only choose local development activities to be funded, but they will also be directly engaged in the management of programme funds and implementation processes. It is envisaged that such engagements will lead to more effective community organization, with developed capacity for community planning and management, and the improvement of relationships with government and other development agencies.

These guidelines on procurement and financial procedures and processes are meant to present procurement and financial management perspective. In this case, the users include CBO/WUA/Community Group in Community Driven Development organizations. It brings together good practices on procurement and financial management from on-going programs and presents the procedures and methods in a simple language.

This part of the manual is a “living document”, to be updated continually on the basis of experience on the ground and to be used by anyone involved in projects/ programs who find them useful.

### **5.3 Financial Management guidelines and its relevance to Community Projects**

The main purpose of the Financial Management guidelines is to provide simple tools to monitor, protect the financial, legal obligations and well-being of the Community Driven Project. The guidelines set out procedures for handling project finances, recording of financial information and ensuring that internal controls are well maintained. This manual is part of the training the CBO/WRUA will undergo through for sustainable development

### **5.3.1 MINIMUM UTaNRMP FINANCIAL MANAGEMENT REQUIREMENTS**

CBO/WUAs /Community Groups supported by UTaNRMP must meet the following conditions:

- i) Comply with all guidelines, regulations, circulars or other forms of financial procedures in force by the project;
- ii) Abide by all internal control mechanisms put in place (operating through relevant committees – Finance, Procurement, Monitoring etc.);
- iii) Meet their obligations as they fall due e.g. pay suppliers within the stipulated period;
- iv) Maintain up to date inventory records, update their financial records on a regular basis ( monthly is recommended);
- v) Perform \_reconciliations of their bank and cash balances, prepare regular financial statements e.g. receipt and payment accounts, asset register etc.;
- vi) Review and discuss, on a monthly basis, the financial status of the CBO/Group during members’ meetings;
- vii) Present financial reports to the entire group during Annual General Meetings (AGM)

### **5.3.2 UTaNRMP Community Project Financial Management Principles**

In order to achieve effective financial management, the following principles should be observed:

- i) The funds will be allocated fairly and competitively among the CBO/WUA./Community Groups based on agreed CAPs and other conditions as stated in this manual.
- ii) The allocation of funds and their utilization must be within approved AWPB and approved proposals;
- iii) The CBO/WUA/Community Group members and their decision makers will be personally and jointly held responsible and accountable for the use of Project resources;
- iv) In case the project resources are not spent within the financial year period, the resources shall continue to be spent on the agreed activities the following financial year as far as the proposal is still valid.
- v) The project resources should be spent optimally i.e. to achieve value for money;
- vi) The CBO/WUA/Community Groups members should be involved in all financial decision making before funds are committed (e.g. through meetings which should be evidenced by minutes and relevant committees); and
- vii) There should be in place strong internal control system enforceable by procedures, regulations and rules acceptable by all stakeholders.

### **5.3.3 Financial Management tools**



Proper and effective Financial Management (FM) process must be supported by necessary tools. Some of these tools are, rules and regulations, AWPB and M&E systems, Budgets, procurement plans, approved Community Action Plan, CBO/WUA/Community Group constitution, registration documents, bank and cash reconciliations, internal and external audit reports, fixed assets register, Financial reports (monthly, quarterly, annual), evaluation reports, etc are necessary tools for effective FM. Respective Committees members will be trained on the above tools.

#### **5.3.4 Budgeting**

Budget is an estimate of the amount of money or other resources, including materials and labour that a CBO/WUA/Community Groups plans to raise and spend for a set purpose over a given period of time. The budget should be Specific, Measurable, Achievable, Realistic and Time bound (SMART). Comparison of actual vs. budget is done after the end of every period. *(Consider the budget as a tool you can use to gauge the success of your project activities).*

The CBO/WUA/Community Groups needs the budget so as to determine the resources it will require (from their own contribution and outside) in order to achieve its objectives and also for preparing funding request to cover expected expenditure. In order to prepare a useful budget, involve all members who must ask themselves the following questions:

- i) Are the objectives of this project a priority? This must be in line with CAP objectives.
- ii) What specific activity (ies) will be required to attain these objectives? List key activity (ies) to be undertaken during the targeted period.
- iii) What resources will be required to enable us accomplish these activities? Identify the labour, and other inputs to be procured/ required for each activity to be carried out.
- iv) What is the cost of these resources? Cost all the activities and inputs listed above and summarize.
- v) Where can we source for the funding? Identify all sources of funds (Development partners, financial institutions and WUA/CBO/Community Groups own contribution) and the expected amounts.

The Expenditure control forms will be updated monthly by the treasurer and reviewed by the Chairperson of the Monitoring committee.(For Sample Expenditure control forms see Appendix 3, FPF 5).

#### **5.3.5 Community Contribution**

The project resources are expected from IFAD and GoK. It is a requirement that each CBO/WUA/ Community Group raises a minimum of 30% (10%) or more of the total project

costs depending on the category. This requirement may be waived in some special cases for youth and vulnerable members of the community. The waiver will be considered on case by case basis. Other forms of contributions include labour, materials, or other resources depending on the nature of the project. It is expected that each CBO/WUA/Community Group will keep proper and verifiable records of all such contributions in a Community Contribution diary. The finance subcommittee (comprising of Chairperson and at least 2 members) is responsible for maintaining the Community Contribution diary.

### **5.3.6 CBO/WUA/Community Group Bank Account**

The CBO/WUA/Community Group shall open a **DESIGNATED BANK ACCOUNT** with a reputable commercial bank in the project area. This is the account which the CBO/WUA will channel their cash contribution. This account must **ONLY** be for activities related to implementation of the proposed project. The signatories should include Chairperson, Treasurer and the Secretary and a mandatory signatory being a sub-county social development officer. The signatories from the CBO/WUA/ Community Group shall not be immediate relative to the other.

UTaNRMP shall fund the CBO/WUA/Community Group by paying for materials and technical support. The signatories shall not withdraw funds from the designated bank account without a committee minutes from a meeting consisting of 2/3 of the committee membership.

### **5.3.7 Payment of Goods, Works and Services:**

- i. Any payment of goods, works and services will be paid to the supplier by the PCT and CBO/WUA/ Community Group based on the agreed Implementation Agreement. The Implementation Agreement will indicate how the resources will be procured, paid for and utilized, the length of the implementation period, and the eligible (approved) activities for supporting. For sustainability of the project, it is expected that community contributions will continue for operation and maintenance of the completed project.

### **5.3.8 Valuation of other community contribution**

The valuation method to be applied on other contributions (materials and labour) will be output-based (.e.g. length of water piping laid) or input-basis (unskilled labour hours) depending on the nature of the activity.

### **5.3.9 Accounting**

The treasurer is responsible for keeping and updating the accounting books and other financial records. The CBO/WUAs/Community Groups are expected to use hard bound books as they are durable. Cash books will be used to record all financial transactions in a simplified way. Each cash book has a receipts and payments side with the following details. The CBO/WUAs/Community Groups will account for the community contribution while the PCT will account for the project contribution through the normal government financial management system.

#### **Receipts Side**

The receipts side of the cash book will include the following details

- Date
- Details from whom funds have been received
- Receipt number
- Amount received

#### **Payments Side**

On the payment side, details will include

- i. Date of the transaction
- ii. The payee (person or organization that is being paid)
- iii. Payment voucher number(reference no )
- iv. Cheque number
- v. Amount paid out

#### **Receipts**

The CBO/WUA/Community Group Treasurer shall keep receipts for all expenses in proper order and also issue a cash receipt for the funds received. Receipts should be numbered accordingly and be kept safely.

(For sample cash book see **Appendix 3, FPF 1**)

### **5.3.10 Payment Guidelines and Procedures**

CBO/WUAs/Community Groups should pay their contractors, suppliers or service providers using the following procedures:

- i. The payment to be made exclusively for approved project activities.
- ii. Ensure all necessary supporting documents including work contract, payment certificates approved by relevant committee, cash receipts, and invoice and purchase orders.
- iii. Payment vouchers will be prepared by the CBO/WUA/Community Group treasurer for all payments. (Sample payment voucher see **Appendix 3, FPF 3**)

- iv. Once the payment vouchers are ready, they will be passed on to the CBO/WUA Chairperson for review and approval.
- v. Cheques will only be drawn once the payment vouchers have been approved, and sent to the various signatories for signature. Payment should only be by cheque except for payments that are Ksh.10, 000 and below. Cheques must be signed by the chairperson, Treasurer and secretary for cash withdraws.
- vi. CBO/WUAs/Community Group should strictly use payment vouchers for reimbursable cost such as transport, lunch and technical support services expenses.
- vii. All expenditures are entered in the books of accounts and updated after every transaction
- viii. Monthly Bank statements are collected and reconciled with cash book
- ix. CBO/WUAs/Community Group should provide monthly financial reports.

### **How to effect payment**

As to “when” payments are made, one of the following methods should be used:

- i. *Payments on delivery of goods or completion of services.* The total payment is done when goods/services has been delivered, inspected and accepted as per the contract.
- ii. *Installment payments.* This is a phased payment which should be made to the supplier/service provider only in accordance with the signed contract.

### **5.3.11 Internal Controls**

The capacity of the user groups to keep proper books of accounts and account for funds contributed and used is a pre-requisite to the management of project resources. Emphasis will be placed on ensuring the development and provision of necessary tools and systems which support accountability. Some of the weakness associated with community projects are weak accounting systems, in adequate financial management capacity and political interference.

In order to mitigate the above weaknesses, the following measures will be put in place

- i. A constant review of processes and transactions by relevant bodies so that risks of loss, fraud, inaccuracies or errors are noted at all levels, and measures put in place to eliminate or minimize them;
- ii. Set up arrangements that accelerate the flow of funds or project implementation,
- iii. Set a monitoring and evaluation system that integrates both financial and physical progress;
- iv. Accountability should be in-built into the local governance system – publishing and publicizing of financial reports by CBO/WUA/Community Group committees in most common local language;
- v. Undertaking internal audits of CBO/WUAs/Community Group on a regular basis;

- vi. Ensure security of vital documents by keeping them in filing cabinet or metal box.

### **5.3.12 Financial Reporting**

Funds contributed by the CBO/WUA/Community Group members are public resources and are subject to public accountability.

#### **Requirements:**

Submission of financial reports will be prerequisite to subsequent support. Financial reports should show total actual receipts and expenditures compared against budget, with separate summaries of the sources of cash, available cash balances, related expenditures and variances.

CBO/WUA should also prepare report on all assets and liabilities for the investment. Accompanying the financial report should be a simple narrative report on the physical progress of the project. Reports produced by CBO/WUA/ Community Group should be periodically reviewed by the technical officers, CPFT and PCT.

Public presentations of financial statements should also be done to enable beneficiaries scrutinize the use of funds. The following are the minimum financial records required for each CBO/WUA/ Community Group;

**Cash Book:** This book lists all of the receipts and payments made into and out of a particular designated bank account and should be updated per transaction.

**Reconciliation Statements:** The bank reconciliation statement compares the cash book balances against the bank statements and lays out the items that constitute the differences and should be done on monthly basis. (For sample Reconciliation Statements see **Appendix 3, FPF7**)

**Statement of Source and uses of Funds:** The preparation of periodic statements on the state of funds received and expenses incurred (simplified SOEs) is important tool in managing the resources of each CBO/WUA/Community Group. The statements should be prepared on a monthly, quarterly and annual basis. A signed copy of these statements will also be forwarded to the PCT not later than two weeks after the end of the month, quarter or year to which they relate to (Sample statement of source and use of funds see **Appendix 3, FPF6**)

**Asset Register:** These may include livestock, boreholes and wells, farmland, business premises, irrigation machinery and so on purchased through grants. In order to maintain a proper and up to date record of all these assets, it is a requirement that each CBO/WUA/ Community Group keeps an asset register. A hard bound book or spreadsheet can be used for this purpose, and will include serial numbers (for machinery and equipment), date of purchase, purchase price,

location, state of the asset and disposal dates. During the general members meetings, the treasurer will be required to provide an update on any changes that have occurred in the asset list.

**Community Contribution Diary:** This book will be used to record the community contribution. The following details will be recorded in the diary (Sample Community Contribution diary see **Appendix 3, FPF 2**)

- i. Date of contribution
- ii. Amount or Quantity of contribution
- iii. Unit and Total costs
- iv. Project achievements

### 5.3.13 Auditing

To ensure accountability, communities should be encouraged to undertake their own audits in order to meet the requirements contained in the financing implementation agreements. The audits may be undertaken, at the request by PCT under special circumstances. By encouraging communities to undertake audits, governance and accountability are fostered.

### 5.3.14 Audit Checklist

A checklist of records and other documentation, which may be requested by the auditor, are provided below;

**Table 5.1: Audit Check List**

Ref	Group of Records	Description of Item
A	Primary Records	<ul style="list-style-type: none"> <li>a) Cash book/petty cash book up-to-date to the year end.</li> <li>b) File of invoices/vouchers for all items of expenditure.</li> <li>c) File or book of receipts for all moneys received (or transferred).</li> <li>d) Bank statements, paying-in slips and cheque books</li> </ul>
B	Summaries and reconciliation statements	<ul style="list-style-type: none"> <li>a) Summary of all receipts and payments by budget.</li> <li>b) Bank reconciliation statements for designated accounts at the end of period.</li> <li>c) Inventory sheets</li> </ul>

C	Schedules	<ul style="list-style-type: none"> <li>a) Schedule of creditors (money owed by the organization).</li> <li>b) Schedule of debtors (money owing to the organization).</li> <li>c) Schedule of grants or other income due.</li> <li>d) List of resources received, or expected to be received.</li> <li>e) Fixed assets register.</li> </ul>
D	Other information	<ul style="list-style-type: none"> <li>a) A letter from bankers to confirm balances (requested by auditors).</li> <li>b) List of all WUAs/CBOs/ Community Group committees and their membership.</li> <li>c) Funding agreements, contracts and correspondence with donors.</li> </ul>
E	Financial Reports	<ul style="list-style-type: none"> <li>a) Previous year audit report where applicable.</li> <li>b) Monthly, quarterly and annual income and expenditure statements made to members and partners.</li> </ul>

### 5.3.15 Technical Assistance

CBO/WUAs/ Community Groups will seek technical implementation support from relevant technical government department. The cost of such services will be included in the CBO/WUA/ Community Group's project proposal.

## 5.4 Procurement

### 5.4.1 Introduction to procurement management

Procurement may be defined as the process of acquiring or getting by purchase, hire purchase, hire, license, tenancy or by any other legal means-goods, works and services for an organization.

Procurement is a function that will support CBO/WUAs/ Community Groups in the implementation of their project activities and is based on the idea that:

- i. Community development can only be achieved if the communities take direct responsibility of their projects development and management; and
- ii. The role of government and other agencies is to provide facilitative support.

This process requires to be done in a transparent and cost effective manner which facilitates the implementation of a project.

### 5.4.2 Use of this section

This manual shall be used:

- (i) To understand procurement management for community managed civil works projects;
- (ii) To facilitate CBO/WUA/ Community Group in managing procurement activities for

- their projects and
- (iii)As a training resource document.

In order to achieve the above, this section of the manual aims to:

- (i) Introduce key procurement concepts;
- (ii) Present procurement procedures in a simplified way; and
- (iii)Provide necessary forms and formats that can be used by a CBO/WUA/ Community Group as annexes.

### **5.4.3 Why a procurement Guide for CBO/WUAs / *Community Groups***

A procurement guide ensures that:

- i) Resources needed to carry out the CBO/WUAs/ Community Groups projects are procured with due attention to economy and efficiency (lower cost, best quality and timely availability);
- ii) CBO/WUA/ Community Group project activity and UTaNRMP funds are used to pay for resources needed; and
- iii) All suppliers have an equal opportunity to compete.

### **5.4.4 Procurement Principles (GOK and IFAD )**

The following key aspects of procurement process are generally common to the Government and other donor procurement procedures:

- i) **Transparency, fairness and fraud prevention** are important so that everyone will know that funds are being honestly spent and accounted for;
- ii) **Equal opportunity** ensures that the suppliers/sellers are provided with equal opportunity;
- iii) **Economy and efficiency** (value for money) means that goods, works and services will be procured at a reasonable price and that the procurement planning process is of satisfactory status;
- iv) **Effectiveness** means that the goods, works and services will fulfil CBO/WUAs objectives.

### **5.4.5 Procurement Process**

This section describes the procurement process and methods applicable to CBO/WUA/ Community Group projects. Understanding this section is necessary to properly carry out the procurement activities under the CBO/WUA/ Community Group. This manual proposes three levels of procurement. The first level is procurement of goods, works and services which are less



than Kshs.10, 000.00 which will be done at the CBO/WUA/ Community Group level; the second level of procurement will be for procurement of goods, works and services of up to Kshs. 5,000,000.00 which will be done at the County level and the third level will be for procurement of goods, works and services above Kshs. 5,000,000.00 which will be at the PCT level. Table 5.2 indicates the thresholds within which each level of procurement will be done.

**5.4.5.1 Setting up a Procurement Sub-committee**

CBO/WUAs/ Community Groups should establish a Procurement Subcommittee responsible for procurement in their group. The composition of the sub committte is one(1) management committee member, and two (2) ordinary members.

This committee will be involved with:

- i. Preparing a procurement plan and updating it regularly;
- ii. Preparing technical specifications and terms of references (often very simple) for goods, works and services respectively;
- iii. Opening of bids
- iv. Keeping procurement records in proper order.
- v. Taking on charge of goods, works and services procured
- vi. Issuing of goods

**5.4.5.2 Selecting a procurement method**

In general, the choice of the procurement method depends on the financial value of the goods, works and services to be procured. A **Financial Threshold/Ceiling** has been set by the UTaNRMP depending on type/ category of activity being financed and IFAD procurement guidelines.

Note that UTANRMP may revise these from time to time. Procurement thresholds are given in Table 5.2 below:

**Table 5.2: Procurement Thresholds**

Threshold/Ceiling:	Use this method	Key activity
Up to Ksh10,000	Buy off the shelf from a seller (low threshold procurement). It should be within the Focal Development Area (FDA) jurisdiction where applicable	The CBO/WUA/ Community Group to Shop around for the best price and keep a receipt.
Between Ksh. 10,001 and	Invite quotations. Give adequate time at least 7 days for	Obtain a minimum of 3 quotations/bids from approved pre-

5,000,000	Amounts of up to Kshs. 500,000.00 and at least 14 days for amounts of above 500,000.00 but below 5,000,001 for submission of bids.	Use pre-qualified suppliers by each respective County or from PCT
Kshs. 5,000,001 and Kshs. 20,000,000.00	Use National Open Tender for goods and services.	PCT to Advertise in two newspapers of nationwide circulation
Kshs. 5,000,001 and Kshs. 50,000,000.00	Use National Open Tender for Works	
Kshs. 20,000,001 and above	Use International Competitive Bidding(ICB) for goods and services	PCT to Advertise in UN portal and two newspapers of nationwide circulation indicating that tender is ICB.

#### 5.4.5.3 Preparing a Procurement Plan

Procurement planning is scheduling steps involved to procure goods, works and services. A procurement plan shows the items that will be required by a CBO/WUA/ Community Group and shows what will be procured and when and to meet which needs. The procurement plan should be included in the proposal and can be reviewed during the implementation.

##### a) Packaging

When preparing the procurement plans, all related procurement items covered by the budget will be grouped and prepared into procurement packages. The procurement items will be grouped into goods, works, non-consulting services and consulting services. Procurement packaging has several advantages:

- i. It offers a better business chance to the sellers to supply in bulk;
- ii. Items procured in packages often result in lower unit cost – therefore cost savings to CBO/WUAs/ Community Groups;
- iii. It simplifies the procurement process. All similar items are procured together for a period. This reduces the hassle involved in buying similar things intermittently; and
- iv. It reduces overhead costs such as frequent advertising, bookkeeping and logistics to CBO/WUAs/ Community Groups.

##### b) Procurement Plan preparation

Once packaging is done, the remaining individual items and packages should be recorded in the tables presented in Annex 4, FPF 11. This is a consolidated list of resources required for the entire CBO/WUA/ Community Group planned activities.

#### **5.4.5.4 Procurement Requisition:**

The management committee will be involved in the initiation of the procurement. The CBO/WUA/ Community Group committee will be involved in prepare detailed description of their requirements such as the Bill of Quantities (BQs), Specifications, Terms of Reference (ToRs) among others in the preparation of their proposal.

#### **5.4.5.5 Advertising**

PCT/County will advertise for prequalification of suppliers in two dailies of national circulation from which a shortlist of suppliers will be selected based on a preset criteria. Advertisement is necessary to:

- i. Inform everyone about the business opportunities available;
- ii. Promote transparency and accountability.

#### **5.4.6 Procurement steps**

This section explains the necessary procurement process steps.

##### **5.4.6.1 Preparation of Technical Specifications**

A specification is a broad description that expresses in effective terms what is required for use by the user.

Technical specifications referred to in tender documents will be prepared in liaison with relevant technical departments in order to ensure procurement of quality goods, works and services. Specifications shall be based on relevant characteristics and/or performance requirements while references to brand names, catalogue numbers, or similar classifications shall be avoided.

##### **5.4.6.2 Preparation, Submission and Opening of Tenders:**

Tenders are to be received and opened in the manner stated in the tender documents and for the purpose of receiving tender bids, each CBO/WUA/ Community Group will be invited during tender opening.

##### **5.4.6.3 Evaluation of Tenders:**

Technical evaluation will be undertaken as stated in the tender document. During the Evaluation of bids a representative of the CBO/WUA/ Community Group will be invited to participate.

##### **5.4.6.4 Contract Award:**

The decision on who to award will be made by each respective County technical department with professional advice of a qualified procurement specialist for contract values of up to Kshs.5,

000,000. Contract awards above this threshold will be awarded by the PCT. The respective CBO/WUA will be informed of the decision made.

#### **5.4.6.5 Signing of Contract:**

After the contract award, the contract shall not be signed until after 7 days after the notification of contract award. The contract shall be deemed to be formed when it is signed by both parties. All Contracts will up to Kshs. 5,000,000.00 be signed by the County Project Coordinator while those above Kshs. 5,000,000.00 will be signed by the Project coordinator. Signed Local Procurement/Service Orders which are also signed by the supplier shall be sufficient in this case.

#### **5.4.6.6 Performance of Contract**

After the contract is signed the supplier/ contractor/consultant shall be responsible for implementing the contract in accordance with the tender document and client's proposal, terms and conditions of the contract and the relevant committee and the respective technical officer shall be responsible for the management of the contract.

#### **5.4.6.7 Receipt, Inspection and Acceptance**

On the delivery of goods, works or services an ad hoc inspection and acceptance committee of not less than three members including a representative of the CBO/WUA/ Community Group and an officer from the respective technical department will be appointed to:-

- a) Immediately inspect and where necessary test the items involved;
- b) Inspect and review the goods, works or services in order to ensure compliance with the terms and specifications of the contract;
- c) Accept or reject on behalf of the CBO/WUA/ Community Group, the delivered goods, works or services.
- d) Ensure that the correct quantity has been received.
- e) Ensure that the goods, works or services meet the technical standards defined in the contract;
- f) Ensure that the goods, works or services have been delivered or completed on time or that any delay has been noted and acted on;
- g) Ensure that all required manuals or documentation have been received;
- h) Issue interim or completion certificates or goods recorded notes as appropriate and in accordance with the contract; and
- i) Sign all the relevant documentation

The Inspection and Acceptance Committee must sign the Inspection and Acceptance Certificate (**Appendix 3, FPF 16**). Once works and services are completed by the contractor, a Completion Certificate must be signed (Appendix 3 FPF 25 and FPF 26).

#### **5.4.7 Procurement Appeals Procedures**

Those appealing against decisions have several avenues for redress. The Appellant should put his/her complaints in writing and should attach copies of the relevant documents.

- i. The complaint should be lodged with the respective tender committee first;
- ii. Project Coordinating Team;
- iii. Public Procurement Oversight Authority (PPOA).
- iv. Ethics and Anti-Corruption Commission (EACC); and
- v. Kenya Police Service (CID)

#### **5.4.8 Procurement record keeping and monitoring**

CBO/WUA must keep all procurement documents in proper order. They include:

- i. The procurement plan;
- ii. Proof of advertisement;
- iii. Request for Quotations/Tender;
- iv. Tender/Quotation opening register;
- v. Evaluation reports;
- vi. Copies of contracts signed;
- vii. All receipts;
- viii. Record of items in storage;
- ix. Requisition forms by the procurement sub-committee approved by the executive committee;
- x. Received quotations/tender documents;
- xi. Inspection and acceptance reports;
- xii. Adjudication and award reports.

A representative of the UTaNRMP, from time to time, will check records to ensure that the procedures described in this manual are followed and records are kept in proper order as part of the normal UTaNRMP process of ensuring that project funds are used appropriately.

The representatives may also ask the Procurement Subcommittee to show where a procured good or service has been used. Before a payment is made to a supplier or service provider, the Procurement Subcommittee should inspect and certify that the goods/services are in acceptable condition. When the CBO/WUA/ Community Group lacks the expertise to make an inspection, it may contact the nearest UTANRMP office for assistance and help.

#### **5.4.9 Store Keeping**

Items procured or supplied for a project and relevant documents are the responsibility of the WUA procurement sub- committee:

- i. The procurement sub-committee should undertake appropriate measures in storing items, such as, allocating a secure room or storage area under lock and key;
- ii. If needed, a watchman should safeguard the stored supplies;
- iii. The CBO/WUA/ Community Group should designate a person (storekeeper) who is responsible for the storage;
- iv. The storekeeper should keep a store record book (Appendix 3 FPF 19).

## CALL FOR PROPOSALS

**COMMUNITY GROUPS/WATER USERS ASSOCIATIONS (WUAs) /COMMUNITY BASED ORGANISATIONS (CBOs) FROM THE PROJECT FOCAL DEVELOPMENT AREAS (FDAs) TO **DEVELOP/ REHABILITATE** WATER SOURCES, WATER CONVEYANCE SYSTEMS (DOMESTIC /IRRIGATION) OR REHABILITATE HOTSPOTS**

### 1. BACKGROUND

Upper Tana Natural Resources Management Project is an eight year project (2012-2020) funded by Government of Kenya, International Fund for Agricultural Development (IFAD), Spanish Trust Fund and the Local community. The **goal** of the project is to “*contribute to reduction of rural poverty in the Upper Tana river catchment*”. This goal is pursued via two **development objectives** which reflect the poverty-environment nexus namely (i) increased sustainable food production and incomes for poor rural households living in the project area; and (ii) sustainable management of natural resources for provision of environmental services.

The project is being implemented in the Upper Tana catchment along 24 river basins and the **tributaries** of the four (4) river basins under Mt Kenya Pilot Project(MKEPP) as follows:-

<b>Tributaries</b> of the Mt. Kenya East Pilot Project for NRM (MKEPP) River Basins (4)	<b>Ena</b> (Itimbogo, Thuura and Gangara) <b>Kapingazi/Rupingazi</b> (Kiye, Thambana, Itabua and Kathita), <b>Kathita</b> (Gaciuma/Kinyaritha, Kuuru, Riiji), <b>Kithinu/Mutonga</b> (Naka, Nithi, South Maara, North Maara and Thuci)
Twelve (12) High Priority River Basins for UTaNRMP	Maragua, Murubara, Nairobi, Ragati, Rujiweru, Rupingazi, SabaSaba, Thangatha, Thanantu, Thiba, Thika/Sasumua and Thingithu
Twelve (12) Other River Basins for UTaNRMP	Amboni/Muringato, Iraru, Kayahwe, Chania, Mara, Mariara, Mathioya, Nyamindi, Ruguti, Rwamuthambi, Sagana and Ura

The project area is in six counties namely; Embu, Tharaka-Nithi, Meru, Nyeri, Kirinyaga and Murang’a and the area includes the Mt. Kenya and Aberdares National Parks and surrounding Forest Reserves. Project implementation is through four components namely: Sustainable Water Resources and Natural Resources Management, Sustainable Rural Livelihoods, Community Empowerment and Project Coordination and Management. **The Project Lead Agency is the Ministry of Water and Irrigation.**

### 2. PROJECT FUNDING MODALITIES

The project has three main **community funding** Modalities:-

- i. Grants to Common Interest Groups (CIGs) for income Generating activities.

- ii. Grants Water Resources Users Associations (WRUAs) and CFAs through Water Services Trust Fund (WSTF).
- iii. Grants to WUAs/community groups/CBOs to implement civil works.

### **3. SUSTAINABLE MANAGEMENT OF WATER RESOURCES SUB- COMPONENT**

The sub- component supports the following main activities:-

#### **i. Implementation of sub-catchment management plans(SCMPs)**

This is where Water Resources Users Associations (WRUAs) will be supported by the project to implement their SCMPs. The funds are disbursed through Water Services Trust Fund (WSTF) and the WRUAs must have developed plans for their catchment for implementation. WSTF regularly advertises for call for proposals.

#### **ii. Community Water development and management**

This is where the Water Users Associations (WUAs)/community groups / CBOs are assisted to Rehabilitate/upgrade their water sources, water conveyance systems or hotspots. Funding is through submission of proposals for civil works activities.

#### **iii. Water Saving Irrigation technologies**

CBOs/WRUAs /Community groups are supported by the project to upgrade their existing irrigation systems to improve on their efficiencies. Funding through submission of proposals for civil works activities

#### **iv. Remedial works at hotspots**

A hotspot is an area that contributes negatively to water quality and quantity. These points occur in many parts of the project area (e.g. graded hilltops, road run off, raw sewage from public institutions etc.). Under this the water sub-component the UTaNRMP project will support the rehabilitation of those hot spots that require civil works. Funding is through submission of proposals for civil works.

### **3. CALL FOR PROPOSALS**

Proposals from Community groups should include the following areas:-

- a) Community water development. The activities include:-
  - i. Development/rehabilitation of rainwater harvesting and storage including water pans and dams;(all the FDAs are eligible)
  - ii. Roof water harvesting demonstration for public institutions (e.g schools, hospitals, dispensaries, health centres, youth polytechnics)( only 4<sup>th</sup> level FDAs are eligible);
  - iii. Rehabilitation/development of boreholes, shallow wells and springs( all levels of FDAs are eligible),
  - iv. Rehabilitation of (common) intakes and community domestic water supply systems( only level 2,3 and 4 are eligible)
- b) Water - Saving Irrigation technologies
 

Activities include:-

  - i. Upgrading of water conveyance systems and improvement of Water application systems in order to improve efficiencies. (only level 2,3,and 4 FDAs are eligible)



- c) Remedial works at hot spots(all the levels of FDAs are eligible)  
 Activities include rehabilitation of road embankments; borrow pits, quarries, and denuded hilltops, and eroded riverbanks, wetlands and springs.

All the above stated activities should have been identified in the respective Community Action Plans of the respective Focal Development Area in which the WUAs/community groups/CBOs is located.

**The CBO/WUA/community group may seek for technical support from relevant Government Department/Agency when preparing technical aspects of the proposal. The projects that were deferred in 2<sup>st</sup> call for proposals are required documents/information to submit the requirements and the rejected proposals are eligible for re-application for this 3<sup>rd</sup> call if they are from the eligible FDA.**

#### 4. FUNDING

The WUA/CBO will be required to contribute 30% of the total proposal cost while UTaNRMP will provide assistance to a maximum of 70% of the total proposal cost, except in activities of public good (point source spring development, dams, hotspot, boreholes, and wells)or from a vulnerable group( youth, women and groups from disabled groups) where the maximum assistance from UTaNRMP is 90% and the community contribution will be 10%. An implementation agreement will be signed between UTaNRMP and the successful group/WUA/CBO specifying on the mode of implementation arrangement.

#### 5. ELIGIBLE FDAs

The proposals should come from the following 1<sup>st</sup>, 2<sup>nd</sup>, 3<sup>rd</sup> and 4<sup>th</sup> level FDAs as per clause 3.

1. S /N	2. River basin	3. Name of the FDA	4. FDA level
1	Thangatha	Lower Thangatha	1 <sup>st</sup>
		Mauthini -Kanjoro	1 <sup>st</sup>
		Kunati	1 <sup>st</sup>
		Kithanga	2 <sup>nd</sup>
		Gathiri	2 <sup>nd</sup>
		Ntoroni- Irunduni	2 <sup>nd</sup>
		Thangatha Uwezo	2 <sup>nd</sup>
		Muthinto	2 <sup>nd</sup>
2	Thanantu	Kithiga	1 <sup>st</sup>
		Kereria -Gatunga	1 <sup>st</sup>
		Nkumbo	1 <sup>st</sup>
		Baraimu Kiorimba	1 <sup>st</sup>
		Kiega	2 <sup>nd</sup>
		Michimikuru	2 <sup>nd</sup>
		Kirima Ntigiri	2 <sup>nd</sup>
		Kiamagogo	2 <sup>nd</sup>
Mwamko	2 <sup>nd</sup>		

		Magi	2 <sup>nd</sup>
		Matakiri - Irunduni	2 <sup>nd</sup>
3	Rujiweru	Mutethia	1 <sup>st</sup>
		Nthambiro	1 <sup>st</sup>
		Kimka	1 <sup>st</sup>
		Kindani	2 <sup>nd</sup>
4	Thingithu	Ntugi –Ibote	1 <sup>st</sup>
		Karocho -Gakurungu	1 <sup>st</sup>
		Nkuene	1 <sup>st</sup>
		Kondaki	1 <sup>st</sup>
		Kiija	1 <sup>st</sup>
		Kiama	1 <sup>st</sup>
		Kiria	2 <sup>nd</sup>
		Kathangune	2 <sup>nd</sup>
		Tumaini	2 <sup>nd</sup>
		Muriga karocho	2 <sup>nd</sup>
5	5. Ena Thura	MattaThura	1 <sup>st</sup>
		Upper Thura	2 <sup>nd</sup>
		Itira Thura	2 <sup>nd</sup>
		Thura Kwa Andu A Mbogo	2 <sup>nd</sup>
		Njeruri	2 <sup>nd</sup>
		Kiogora Thura	2 <sup>nd</sup>
		Lower Thura	2 <sup>nd</sup>
	6. Ena (Gangara)	Gangara	1 <sup>st</sup>
	7. Ena (Itimbogo)	Matururi	1 <sup>st</sup>
		Karago	2 <sup>nd</sup>
8. Ena(Rwanj oga)	Upper Rwanjoga	2 <sup>nd</sup>	
	Kamitaari	2 <sup>nd</sup>	
6	Mutonga (North Maara)	Gankungo	1 <sup>st</sup>
		3K- Iruri	1 <sup>st</sup>
		Nkumbo Mwangaza	2 <sup>nd</sup>
		Kiakanku	2 <sup>nd</sup>
		Kambo	2 <sup>nd</sup>
		Kithima	2 <sup>nd</sup>
		Giamboma	2 <sup>nd</sup>
		Chomu	2 <sup>nd</sup>
	Muchoki	2 <sup>nd</sup>	
	Mutonga (SouthMaara)	Ikakika	1 <sup>st</sup>
		Mwekinga	2 <sup>nd</sup>
		Inanduru	2 <sup>nd</sup>
		<b>Kimugwi</b>	2 <sup>nd</sup>
	Mutonga(Nith i	Kaka	1 <sup>st</sup>
		Kagika	2 <sup>nd</sup>

	Mutonga (Thuci)	Upper Nithi	2 <sup>nd</sup>
		Igawega	2 <sup>nd</sup>
		Lower Thuchi Kamaindi	1 <sup>st</sup>
		Kamukima	1 <sup>st</sup>
		Ishara Thuci	1 <sup>st</sup>
		Mukuria	1 <sup>st</sup>
		Kamwimbi Thuci	2 <sup>nd</sup>
		Kiaga	2 <sup>nd</sup>
		Muthuma	2 <sup>nd</sup>
		Thuma	2 <sup>nd</sup>
		Kyeni /Kiangagwa	2 <sup>nd</sup>
		Thuchi /Gitwa	2 <sup>nd</sup>
Nguthi	2 <sup>nd</sup>		
<b>9. S /N</b>	<b>10. River basin</b>	<b>11. Name of the FDA</b>	<b>12. FDA level</b>
	Mutonga (NAKA )	Riancege	2 <sup>nd</sup>
		Maringani	2 <sup>nd</sup>
		Kamuimu	2 <sup>nd</sup>
		Kimwe	2 <sup>nd</sup>
		Riancege	2 <sup>nd</sup>
7	Kathita (Riiji)	Ngwata	1 <sup>st</sup>
		Mwirumba	2 <sup>nd</sup>
		Runyweka	2 <sup>nd</sup>
	Kathita (Ngaciuma)	Karwangichu	1 <sup>st</sup>
		Runkuruu	2 <sup>nd</sup>
		KIRUKA	2 <sup>nd</sup>
	Kathita (Kuuru)	Nchura	1 <sup>st</sup>
		Kuuru-Kirimiri-Kieru	2 <sup>nd</sup>
		Nthacio	2 <sup>nd</sup>
	Kathita (Kinyaritha)	Kambereu	1 <sup>st</sup>
8	13. Nairobi	Kaluna	1 <sup>st</sup>
		Munyu	1 <sup>st</sup>
		Kimanga	1 <sup>st</sup>
		Kigaki	1 <sup>st</sup>
9	<b>Thiba</b>	Kiumbu	1 <sup>st</sup>
		Marurumo	1 <sup>st</sup>
		Nduini	1 <sup>st</sup>
		Mikarara	1 <sup>st</sup>
		Karia	1 <sup>st</sup>
		Thiba	2 <sup>nd</sup>
		Marura	2 <sup>nd</sup>
		Kaki	2 <sup>nd</sup>
		Wamumu- Kiamanyeki	2 <sup>nd</sup>
		Ruga Rwa Kimi	2 <sup>nd</sup>

		Thumaita Central	2 <sup>nd</sup>
		Ndikaki	2 <sup>nd</sup>
		Kimbetha	2 <sup>nd</sup>
		Kariko /Thaita West	2 <sup>nd</sup>
		Kathare/Kirumba	2 <sup>nd</sup>
		Mukarara	2 <sup>nd</sup>
		Gakika	2 <sup>nd</sup>
10	<b>Rupingazi</b>	Marurumo	1 <sup>st</sup>
		Romu	1 <sup>st</sup>
		Runyange (Kiiye)	1 <sup>st</sup>
		Kangengi (Kiiye)	2 <sup>nd</sup>
		Mugambaciura	1 <sup>st</sup>
		Upper Rupingazi	1 <sup>st</sup>
		Runyatha	1 <sup>st</sup>
		Lower Rupingazi	1 <sup>st</sup>
		Kathaka	2 <sup>nd</sup>
14.	15. Rupigazi (Itabua)	Upper Itabua	1 <sup>st</sup>
		Lower Itabua	1 <sup>st</sup>
11	Murubaara	5K	1 <sup>st</sup>
		Kanyakima	2 <sup>nd</sup>
		Gathigiriri	2 <sup>nd</sup>
		Rwaraka	2 <sup>nd</sup>
16. 1 2	17. Ragati	Gikumbo	1 <sup>st</sup>
		Kangocho	1 <sup>st</sup>
		Kakamara	1 <sup>st</sup>
		Kiamwangi	1 <sup>st</sup>
		Ragati 1(Githimusa)	1 <sup>st</sup>
		Ragati 2 (Githara)	1 <sup>st</sup>
		Karuru	2 <sup>nd</sup>
		Muga	2 <sup>nd</sup>
		Triple G	2 <sup>nd</sup>
		Nyarungu	2 <sup>nd</sup>
		Kianguka	2 <sup>nd</sup>
18. 1 3	19. Maragua	Mugagaki	1 <sup>st</sup>
		Makikaka	1 <sup>st</sup>
		Kangema Aberdare	1 <sup>st</sup>
		Komika	1 <sup>st</sup>
		Upper Maragua bridge	1 <sup>st</sup>
		Munuga	1 <sup>st</sup>
		Ndugagaki	2 <sup>nd</sup>
		Yamika	2 <sup>nd</sup>
		Muthithi	2 <sup>nd</sup>
		Mugumoini	2 <sup>nd</sup>
		Kiruga	2 <sup>nd</sup>
		Lower Kinyona	2 <sup>nd</sup>

		Kinyona	2 <sup>nd</sup>
		Irati	2 <sup>nd</sup>
		Giitaga	2 <sup>nd</sup>
		Lower Karurumo	2 <sup>nd</sup>
20. 1 4	21. Thika	Ndakaini and Kigoro	1 <sup>st</sup>
		Mung'aria	1 <sup>st</sup>
		Sakiuki	1 <sup>st</sup>
		Gitiri-Njaini	1 <sup>st</sup>
		Muchoki	2 <sup>nd</sup>
		Mukiuki	2 <sup>nd</sup>
		Mbuguti	2 <sup>nd</sup>
		Gagaki	2 <sup>nd</sup>
		Kariara	2 <sup>nd</sup>
		Ngurueini	2 <sup>nd</sup>
		Ithiru South	2 <sup>nd</sup>
		Ngelelya	2 <sup>nd</sup>
		Ithanga	2 <sup>nd</sup>
22. 1 4	23. Thika	Nanga	2 <sup>nd</sup>
		Kakuzi	2 <sup>nd</sup>
		Githumu	2 <sup>nd</sup>
		Kagira	2 <sup>nd</sup>
		Ngararia	2 <sup>nd</sup>
		Kigumo	2 <sup>nd</sup>
		Githima	2 <sup>nd</sup>
		Makomboki	2 <sup>nd</sup>
24. 1 5 25. 26.	27. Sabasaba	Mugaa	1 <sup>st</sup>
		Sawaka	1 <sup>st</sup>
		Kamangu	1 <sup>st</sup>
		Sabasaba	1 <sup>st</sup>
		Kagaki	2 <sup>nd</sup>
		Gakaga	2 <sup>nd</sup>
		Githembe	2 <sup>nd</sup>
		Mugumoini	2 <sup>nd</sup>
		Mamamuga	2 <sup>nd</sup>
		Kamahuha	2 <sup>nd</sup>
		Kibage	2 <sup>nd</sup>
		Gakangu	2 <sup>nd</sup>
		Lower Kambiti	2 <sup>nd</sup>
		Karimara	2 <sup>nd</sup>
28. 1 6	29. Sagana	Gathuga	3 <sup>rd</sup>
		Kabaru	3 <sup>rd</sup>
		Kahutha	3 <sup>rd</sup>
		Kiamugaka	3 <sup>rd</sup>
		Kimathi Central	3 <sup>rd</sup>
		Mamugiga	3 <sup>rd</sup>

		Mamwe Sakinje 4K Tharimumbo	3 <sup>rd</sup> 3 <sup>rd</sup> 3 <sup>rd</sup>
30. 1 7	31. Muringato	Muruga Mwelami Mathari	3 <sup>rd</sup> 3 <sup>rd</sup> 3 <sup>rd</sup> 3 <sup>rd</sup>
32.	33. Amboni	Mwelami	3 <sup>rd</sup>
34. 1 8	35. Iraru	Abokimwe Kayumi Kairaa Mwithi	3 <sup>rd</sup> 3 <sup>rd</sup> 3 <sup>rd</sup> 3 <sup>rd</sup>
36. 1 9	37. Mariara	Mwanduga Kamwaki Kikaki Kathaai Kianyungu Akachiu	3 <sup>rd</sup> 3 <sup>rd</sup> 3 <sup>rd</sup> 3 <sup>rd</sup> 3 <sup>rd</sup> 3 <sup>rd</sup>
38. 2 0	39. Ura	Kianyungu Akachiu Kamacabi Kamiramba	3 <sup>rd</sup> 3 <sup>rd</sup> 3 <sup>rd</sup> 3 <sup>rd</sup>
40. 2 1	41. Ruguti	Lower Ruguti Mwirutiri Rumugi	3 <sup>rd</sup> 3 <sup>rd</sup> 3 <sup>rd</sup>
42. 2 2	43. Rwamutha mbi	Gikanguri Kagi Muki Kaguyu Kagibari	3 <sup>rd</sup> 3 <sup>rd</sup> 3 <sup>rd</sup> 3 <sup>rd</sup> 3 <sup>rd</sup>
44. 2 3	Nyamindi 45.	Rianjue Mbiri Thirikwa Kakiki	3 <sup>rd</sup> 3 <sup>rd</sup> 3 <sup>rd</sup> 3 <sup>rd</sup>

46.2 4	Lower Chania	Ngaka Kichogaki Kigaki	3 <sup>rd</sup> 3 <sup>rd</sup> 3 <sup>rd</sup>
47.2 5	Mathioya	4K Gikanguru Gikaga Mika Kamuka Watuka	3 <sup>rd</sup> 3 <sup>rd</sup> 3 <sup>rd</sup> 3 <sup>rd</sup> 3 <sup>rd</sup>
48.2 6	Kayawe	Mukimara Kamuka Upper mathioya Githinga	3 <sup>rd</sup> 3 <sup>rd</sup> 3 <sup>rd</sup> 3 <sup>rd</sup>

## 6. ELIGIBILITY CRITERIA

The civil works Manual provides relevant eligibility criteria and other requirements. As a minimum the applicant WUA/Community group/CBO must be registered as a community group or cooperative society by a relevant government institution .In addition the group must:-

- i. Be an active group (with up to date registration) and have been in existence for minimum of 6 months since registration;
- ii. Have a bank account with a Commercial Bank;
- iii. Provide evidence of (30% minimum) or 10%( depending on the category of proposal) of the costs of the project as evidenced by such an amount in their bank account or access to credit lines, or a combination of labour/materials and cash;
- iv. Be based at the Project Focal Development Area (FDA) listed clause 3 and proposal endorsed by Focal Development Area Committee (FDAC) officials, relevant Water Resource Users Associations (WRUAs) officials;
- v. Proposal has met all the legal/statutory requirement for implementation;
- vi. Applied using the prescribed form.

## 7. INELIGIBLE PROPOSALS – proposal will not be eligible if:

- i. The WUA/CBO/Community group is bankrupt or insolvent, being wound up, or having their affairs administered through the courts;
- ii. WUA/CBO/Community groups officials have been convicted of an offence concerning their professional conduct;
- iii. The WUA/CBO/Community groups have been found guilty of grave professional misconduct;

- iv. The group has not fulfilled its obligations relating to the payment of statutory contributions or taxes;
  - v. The group or its officials are subject of a judgment for fraud, corruption, involvement in a criminal organization or any other illegal activity; and
  - vi. The group or their officials are subject to a conflict of interest or conflicting activities;
  - vii. The activity is not among the ones in this advert.
- NB: Proposals that were submitted appraised but deferred, can be re-submitted but ensuring all documents/information is available; the ones that were rejected may also be re-submitted.

**NB: Submission of proposal by WUA/CBO/ community group is not a guarantee the proposal will be funded.**

**8. DURATION**

The proposed projects are to be completed at least in **three years**

**DEADLINE**

The deadline for submission of the duly signed proposals by the FDACs to the CPCs offices is on the -----(30 days from the date for call for Proposals).

**9. APPLICATION FORMS AND ENQUIRIES**

Application forms, grants guidelines and manual are available at the following offices and are not for Sale.

**i. Project Coordinating Unit Offices-**

Upper Tana Natural Resources Management Project (UTaNRMP)  
P.O. Box 996 -60100. Tel +254-68-2231376

**Embu**

**Email: [utanrmp@gmail.com](mailto:utanrmp@gmail.com) Website: [www.utanrmp.or.ke](http://www.utanrmp.or.ke)**

**ii. County Offices**

A) County Project Coordinator  
Embu County  
Embu West -Water Offices  
P.O Box 542

**Embu**

B) County Project Coordinator  
Tharaka Nithi County  
Meru South -Water Offices  
P.O. Box 263-60400

**Chuka**

C) County Project Coordinator  
Meru County  
Next to Meru WRMA sub-region office  
P.O. Box 1152

D) County Project Coordinator  
Nyeri County  
Tana Water Services Board building  
P.O Box 1343

**Nyeri**

E) County Project Coordinator  
Muranga County  
Muranga -WRMA sub region office  
P.O. Box 460

**Muranga**

F) County Project Coordinator  
Kirinyaga County  
Kirinyaga WRMA sub region office  
P.O. Box 360



**Meru**

**Kerugoya**

**iii. Other county offices: County and Sub-County Social Development, Irrigation and Water Offices**

Embu

Nyeri

Kirinyaga

Tharaka Nthi

Muranga

Meru

**iv. All chairpersons of Focal Development Areas (FDAs)**

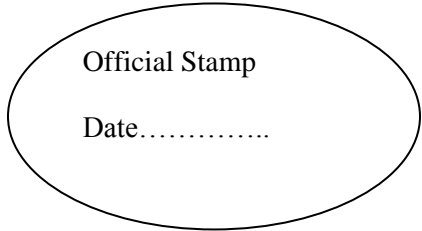
**Project Coordinator**

**Upper Tana Natural Resources Management Project (UTaNRMP)**

**For: Principal Secretary**

**Ministry of Water and Irrigation**

**State Department of Water Services Development**



**F2: Proposal Format**

**Civil Works activities Proposal Application Form (THIS FORM IS NOT FOR SALE)**

<b>For official Use only</b>	
<b>Name of the Water users associations(WUA)/CBO/Community Group:</b>	
<b>Proposal Reference No:</b>	
<b>Category Applied for :</b>	
<b>Date Received:</b>	

**Instructions**

*Please read this application form and information document on the **Call for Proposals (CFP) guidelines** carefully before you fill this proposal application form. The application forms should be filled in **English**. Filling this form is **not a guarantee** that your project will be funded.*

---

***Requirements***

- 1. The application form for proposal is only to be filled and submitted by applicants who meet the general and specific criteria as indicated in the “call for proposals”.*
- 2. It is important to attach all the required documents as a proof that all the requirements have been met.*
- 3. All proposals must be endorsed by the FDAC, before they are submitted to the County Project Coordinator’s office.*

*I, the County Project Coordinator of.....County confirm that the proposed project as stated in this Proposal Application Form is in line with the objectives and priorities of the Upper Tana Natural Resources Management project and county development plan/agenda.*

***Name:***

***Date:***

*Signature:*

*Official Stamp:*

**A. General Information**

Name of the CBO/WUA/ Community Group	
CBO/WUA /Community Group Registration No.	
Contact Address	
Date of Registration	
Type of registration/registered with	
Number of WUA/CBO/ Community Group members (Men, Women)	
County	
Sub-County	
River Basin	
CBO /WRUA/ Community Group	
FDA	
Nearest trading centre	

**Details of the WUA Executive Committee**

Name of Chairperson	
Telephone number of Chairperson	
Duration in office	
Name of Secretary	
Telephone number of secretary	
Duration in office	
Name of Treasurer	
Telephone number of Treasurer	

Duration in office	
--------------------	--

**Details of the FDAC Executive Committee**

Name of Chairperson	
Telephone number of Chairperson	
Name of Secretary	
Telephone number of secretary	
Name of Treasurer	
Telephone number of Treasurer	

**Details of the CBO/WUA/ Community Group Executive Committee**

Name of Chairperson	
Telephone number of Chairperson	
Name of Secretary	
Telephone number of secretary	
Name of Treasurer	
Telephone number of Treasurer	

**CBO/WUA/ Community Group Bank Details**

Bank Name	
Branch Name	
Branch Code	
Account Name	
Account Number	

**CBO/WUA /Community Group Account Signatories**

<b>Signatory 1</b>	
Name(Full Names )	
ID number	
<b>Signatory 2</b>	
Name(Full Names )	
ID number	
<b>Signatory 3</b>	
Name(Full Names )	
ID number	

**B. Proposed Project Information  
Proposal General Information**

Name of the proposed project	
<b>Category</b> of the project applied for (*)	
Duration of the proposed project	
Requested(IFAD) funding (Kshs.)	
WUA contribution (Kshs.)	
Total cost of the project (Kshs.)	
% of WUA contribution to project cost	
Project Direct Beneficiaries: Number of Women: Number of Men: Number of Youth: Number of the Elderly: Number of vulnerable people Others (specify): Total number of beneficiaries	

### **Detailed Proposal Information**

**i) Description of the project and its Effectiveness\* ( 1 page)**

*Background information that led to the formulation of the Project*

*Describe the possibilities for replication or extension of the Project outputs in other communities or individuals (multiplier effects)*

**\*\*Effectiveness:** The extent to which the objectives of a development intervention were achieved, or are expected to be achieved or measure of the actual or likely attainment of project objectives

**ii) Goals and objectives of the proposed project ( ½ page)**

**iii) Main project milestones\*\* and related activities of the proposed project (½ page)**

*The milestones should be Specific, Measurable, Achievable, realistic and Time bound*

**\*\*\* Milestones is a logical flow of activities**

**iv) Expected Outputs ( ½ page)**

*The outputs should be Specific, Measurable, Achievable, realistic and Time bound*

**Outputs\*\*\*\* .The tangible results achieved due to the implementation of project activities**

**v) Relevance\*\*\*\*8 of the proposed project in addressing poverty and natural resource issues in the area (½ page)**

**Relevance\*\*\*\*** is a measure of the pertinence of the project strategy and activities to the needs of the group or overall goal of the group

**vi) WUA members involvement and participation ( 2 pages)**





- Line ministries/ Agencies
- Project Coordination Team
- Others

*Organizational structure of the CBO/WUA/ Community Group*

**vii) Financial and Implementation capacity of the CBO/WUA Community Group /**

*Experience of the CBO/WUA to manage and implement this project*

*Experience of the CBO /WUA in managing financial resources*

**viii) Sustainability mechanisms**

*Financial sustainability: financing and financial management of follow-up activities, sources of revenue for covering all future operating and maintenance costs*

*Institutional sustainability: organizational structures which will allow the results of the Project to continue being in place after the end of the Project*

*Environmental sustainability: availability of Environmental Impact Assessment report and mechanisms put in place to implement Environmental Management Plans and future Environmental Audits.*

**ix) Indicative activity schedule**

**Attach the activity schedule**

**x) Budget**

The budget will be prepared as per respective category. See Technical Support Notes (TSN) in appendix 4 to assist in budget preparation.

**xi) Proposal certified by CBO/WUA /Community Group**

Name	Designation	Signature	Date

**WUA official Stamp.....**

**xii) Proposal Endorsement by other Stakeholders**

Level	Name	Signature and stamp	Date	Comment
Line Department/ Agency				
FDAC				
CPFT				
PCT				

**xiii) General comments of the proposal by the CPFT**

.....

.....

.....

.....

.....

.....

.....

**C: Attachment to this Proposal**

The following copies of documents should be attached:

- i) CBO/WUA/ Community Group registration certificate
- ii) Signed CBO/WUA/ Community Group members list (name, ID number and signature)
- iii) Minutes approving this proposal
- iv) Financial report (Recent bank statement, Recent Financial statement , Bank/cashbook reconciliation statement – among others)
- v) Drawings/Bill of Quantities or any documents required for implementation

- vi) Sketch map showing location of the CBO /WUA/ Community Group.
- vii) CBO/WUA/ Community Group Constitution
- viii) Minutes of the most recent full CBO/WUA /Community Group members general meeting
- ix) Project design
- x) All statutory requirement to implement the project e.g water permit, way leave, EIA, etc.

### F3: Desk and Field Appraisal Guidelines

#### Proposal Check List and Scoring –

##### Desk Proposal Appraisal Instructions

- i. *Read application carefully*
- ii. *Check adequacy (completeness) of Application/Request for Funds*
- iii. *Follow checklist to establish whether quality & content of proposal is acceptable*
- iv. *Recommend what is the next action required on this Application/Request for Funds.*

##### General information

Name of WUA	
Request for Funds Number	
County	
Sub-County	
River Basin	
WRUA	
FDA	

##### Eligibility Criteria

Item	Answer (Yes/No)	Comments
Is CBO/WUA /Community Group within UTaNRMP Project area?		
Has CBO/WUA Community Group / been appraised before?		
Has technical support been sought by the WUA / CBO/ Community Group?		
Proposal Form – complete & signed by WUA/CBO/ Community Group Officials		
Proposal Form - Endorsement by FDAC		
Proposal Form Endorsement by Line Agencies		
Proof of Registration - Certificate of Registration		
Katiba/ Constitution		
Minutes of meetings & AGM		
Activity/ Business Plan		
Sketch Map indicating Location of CBO/WUA Community Group /		
Detailed Budget of proposed activity		
Members Register		
Financial report		
Does the proposal meet all the legal requirements e.g EIA, Way leave, water permit ect.		

**Review ANSWER column. Are there any NO answers? Examine the issue and decide required action for application.**

**Review of Request For Funding**

<b>Scoring Criteria</b>	<b>Scoring out of Five (5) 5-V.Good 4-Good 3-Moderate 2-Poor 1-V.poor</b>	<b>Comments</b>
To what extent do the proposed activities integrated with other natural resources?		
To what extent do the expected outputs address stated problems? (Relevance)		
To what extent will the proposed activities result in desired outputs? (Appropriateness)		
Gauge whether the timeframe is reasonable		
To what extent do the proposed activities meet eligibility criteria?		
To what extent does the proposal address EIA issues where required?		
<b>Sub-Total out of 30</b>		
<b>Management</b>		
To what extent has the CBO/WUA Community Group // been able to successfully implement other activities?		
Is CBO/WUA/ Community Group Management Committee properly elected? (Yes=5 No=1)		
How is gender representation within the CBO/WUA Community Group / management committee? <i>Give actual figures in the comments.</i>		
To what extent does the proposal address the needs of the vulnerable members in the CBO/WUA Community Group /(HIV/AIDS, PWDs, Chronically ill, elderly, very poor )		
<b>Sub-Total out of 20</b>		
<b>Implementation Capacity</b>		
Has adequate technical support been factored in? (Yes=5 No=1)		
To what extent are the relevant stakeholders' collaborations addressed by the proposal?		
<b>Sub-Total out of 10</b>		

<b>Sustainability</b>				
Is the role of the members of the CBO/WUAs Community Groups included in the proposal? (Yes=5 No=1)				
To what extent is the community contribution factored in the proposal as per category?				
To what extent is sustainability issues covered in the proposal?				
<b>Sub-Total out of 15</b>				
<b>Proposed Budget</b>				
Is budget within funding thresholds as per category? (Yes=5 No=1)				
To what extent is the budget adequate for the proposed activities? (Efficiency)				
To what extent is the community contribution reasonable & achievable?				
To what extent does the community contribution surpass the minimum as per the category?				
<b>Sub-Total out of 20</b>				
<b>Project Monitoring</b>				
To what extent are the proposed outputs well defined?				
Are the milestones well defined? (Specific, Measurable, Achievable, Realistic and Time Bound) (Yes=5 No=1)				
<b>Sub-Total out of 10</b>				
<b>GRAND TOTAL out of 105</b>				
<b>General Comments</b>				
<b>Recommendation</b>	<b>Answer (Yes/No)</b>	<b>Comments</b>		
Application Accepted for field verification				
Application Rejected				
<b>Appraisal Team</b>				
<b>No</b>	<b>Name</b>	<b>Position</b>	<b>Date</b>	<b>Signature</b>
<b>Endorsement by the team leader:</b>				

<b>Name:</b>		
--------------	--	--



## Appraisal Team Field Verification

### Materials

1. Application & supporting documents
2. Desk appraisal form
3. Field appraisal form

### Instructions

1. *Read application and desk appraisal form carefully.*
2. *Meet with management committee, including members of the WUA.*
3. *The WUA to provide all necessary original documents relevant to the proposal*

### General information

Name of CBO/WUA/ Community Group	
Request for Funds Number	
County	
Sub-County	
River Basin	
FDA	
Date of Field Verification	

Documents to be availed during Field Appraisal	Available/Not Available	Remarks
Copy of Proposal – complete & signed by WUA officials		
Proof of Registration - Certificate of Registration		
Katiba/Constitution of the CBO/WUA/Community Group		
Minutes of meetings & AGM		
WUA implementation plan		
Sketch map indicating the activity site		
Detailed activity Budget		
Members Register		
Immediate past Public Funding Progress Report (If any)		
Financial report		

### Review of Application

Scoring Criteria	Answer (Yes/No)	Comments
Are all contact details correct?		
Are members aware of problems/objectives/proposed solutions as stated in proposal?		
Are members aware of proposed activities?		
Does the proposed solution in the proposal practically address the WUA problems? ( <b>Relevance</b> )		

Review implementation timeframe with members. Is the timeframe reasonable?		
<b>Management</b>		
Is there gender representation within WUA management committee? <i>-If yes give actual figures in the comments</i>		
Have officials been constitutionally elected?		
Does the management committee meet as per constitution to handle CBO/WUA/Community Group affairs?		
Is there good attendance at the WUA meetings? <i>-Is Quorum met in all meetings as per Constitution/by-laws?</i>		
Do CBO/WUA //Community Group meetings adhere to resolutions as per the minutes?		
Is the management structure as outlined in the constitution adhered to?		
Are meetings held as per the CBO/WUA/Community Group by-laws or constitution?		
<b>Implementation Capacity</b>		
Does CBO/WUA/Community Group / have a track record of project implementation?		
Are proposed activities reasonable given /CBO/WUA //Community Group implementation capacity?		
Is the project technically and physically feasible		
Are the relevant technical personnel involved in the development of the proposal? If Yes, which departments/agencies?		
<b>Sustainability</b>		
Are the beneficiaries aware of their roles as stated in the proposal?		
Is the Community Contribution factored in the proposal reasonable and affordable?		
<b>CBO/WUA/Community Group Record Keeping</b>		
Minutes of Meetings		
Receipt book		
Stores book		
Members Register		
Bank statements		
Books of Accounts		
Record of Community Contribution		
<b>Financial Management</b>		
Are members aware of the budget?		
Is budget reasonable for proposed activities?		
Is community cash contribution reasonable & achievable?		
Does CBO/WUA/Community Group have proper financial accounting arrangements?		
Does CBO/WUA/Community Group have proper procurement arrangements?		

Project Monitoring		
Are proposed milestones well identified and understood by members?		
Is there a reasonable plan for progress monitoring?		

*Review ANSWER column. Are there any NO answers? Examine the issue and decide required action for application.*

**General Comments**

Recommendation	Answer (Yes/No)	Comments
Application Accepted		
Application Rejected		

**CBO/WUA/Community Group Members and Stakeholders Consulted During Field Appraisal**

NO	NAME	ID	POSITION	SIGNATURE	DATE

**Appraisal Team**

No	Name	Position	Date	Signature
<b>Endorsement by the team leader:</b>				
Name:				

## Eligibility Criteria for Subsequent support

### General Information

Name of CBO/WUA/Community Group	
Request for Funds Number	
County	
Sub-County	
River Basin	
FDA	
Name of the project funded	
Objective of funding	
Activities funded	
Completion Certificate No. (Attach copy)	
Immediate past funding (Kshs.):	
UTaNRMP funding (Kshs.)	
Community Contribution (Kshs.)	
Total Cost (Kshs.)	
Expenditure (Kshs.)	
% Expenditure of total funding	
Name of the proposed project	
Objective (s)	
Activities	
Is the current proposal related to the previous supported activities, in terms of value addition, expansion or support services to the earlier funded activity? ( Yes/No)	

### Review of Immediate Past UTaNRMP support Financial Report

Scoring Criteria	Answer (Yes/No)	Comments
Financial Statement available and correct		
Expenditure statement available and correct		
Bank/cash reconciliation statement available and correct		
Copies of bank statements		
List of all procurements		
Report on evaluation of tenders		
Have the financial report been scrutinized and found to be in order?		

**Review of Immediate Past UTaNRMP Funding Progress Report**

<b>Scoring Criteria</b>	<b>Scoring out of Five (5) 5-V.good 4-Good 3- Moderate 2-Poor 1-V.poor</b>	<b>Comments</b>
To what extent has the outputs been achieved?		
Gauge the adherence to Implementation time frames (Timeliness)		
How well were the outputs geared towards achieving the objectives/addressing the stated problems? (Relevance)		
To what extent have the outputs resulted to the desired impacts? (Effectiveness)		
To what extent were the outputs achieved with the allocated budget? (Efficiency)		
To what extent have the activities been implemented in collaboration with other relevant stakeholders?		
<b>Sub-Total out of 30</b>		

**Review of Proposal**

<b>Criteria Scoring</b>	<b>Scoring out of Five (5) 5-V. Good 4-Good 3- Moderate 2-Poor 1-V. Poor</b>	<b>Comments</b>
To what extent do the expected outputs address stated problems? (Relevance)		
To what extent will the proposed activities result in desired outputs? (Appropriateness)		
Gauge whether the timeframe for implementing the project is reasonable		
To what extent does the proposal address EIA issues where applicable?		
<b>Sub-Total out of 20</b>		
<b>Management</b>		
Has there been any change in management of the CBO/WUA/ Community Group since the previous funding? (Yes/No)		
Is the current CBO/WUA Community Group / Management Committee democratically elected as per the constitution? (Yes=5 No=1)		

How is Gender representation within the CBO/WUA management committee? <i>Give actual figures in the comments.</i>		
To what extent does the proposal address the needs of the vulnerable members in the CBO/ WUA Community Group (HIV/AIDS, PWDs, Chronically ill, elderly, very poor )		
<b>Sub Total out of 15</b>		
<b>Implementation Capacity</b>		
Has adequate technical support been factored in? (Yes=5 No=1)		
To what extent are the relevant stakeholders' collaborations been addressed by the proposal?		
<b>Sub-Total out of 10</b>		
<b>Sustainability</b>		
Is the role of the members of the CBO/WUAs /Community GroupS included in the proposal? (Yes=5 No=1)		
To what extent is the community contribution factored in the proposal as per category?		
To what extent is sustainability covered in the proposal?		
Has the project meet all the legal requirement		
<b>Sub-Total out of 15</b>		
<b>Proposed Budget</b>		
Is budget within funding thresholds as per category? (Yes=5 No=1)		
To what extent is the budget adequate for the proposed activities? (Efficiency)		
To what extent is the community contribution reasonable & achievable?		
To what extent does the community contribution surpass the minimum as per the category?		
<b>Sub-Total out of 20</b>		
<b>Project Monitoring</b>		
To what extent are the proposed outputs well defined?		
Are the milestones well defined? (Specific, Measurable, Achievable, Realistic and Time Bound) (Yes=5 No=1)		
<b>Sub-Total out of 10</b>		
<b>Total out of 125</b>		
<b>General Comments</b>		

<b>Recommendation</b>	<b>Answer (Yes/No)</b>	<b>Comments</b>
Proposal accepted for field verification		
Application rejected		

**Appraisal Team**

No	Name	Position	Date	Signature
<b>Endorsement by the team leader:</b>				
<b>Name:</b>				

## Appraisal Team Subsequent Support Field Verification

### Materials

1. Original Proposal & supporting documents
2. Desk appraisal forms
3. Field appraisal forms

### Instructions

1. *Read application and desk appraisal forms carefully.*
2. *Meet with management committee, including members of the CBO/WUA/ Community Group*
3. *The CBO/WUA /Community Group to provide all necessary original documents relevant to the proposal*

### General information

Name of CBO/ WUA/ Community Group	
Request for Funds Number	
County	
Sub-County	
River Basin/ Community Group	
WRUA/CFA/ Community Group	
FDA	
Date of Field Verification	

<b>Documents to be availed during field appraisal</b>	<b>Available/Not Available</b>	<b>Remarks</b>
Copy of application		
Proof of Registration – Current Certificate of Registration		
Katiba/Constitution of the CBO/WUA/ Community Group		
Minutes of meetings & AGM		
CBO/WUA/ Community Group business Plan		
Sketch map indicating the activity site		
Members Register		
Proof of earlier funding and progress report		
Bank statements		
<b><i>Review ANSWER column. Are there any NO answers? Examine the issue and decide required action for application.</i></b>		



### Review of the application

Scoring Criteria	Answer (Yes/No)	Comments
Are all contact details correct?		
Are members aware of problems/objectives/proposed solutions as stated in proposal?		
Does the proposed solution in the proposal practically address the CBO/WUA /Community Group / problems? <b>(Relevance)</b>		
Review implementation timeframe with members. Is the timeframe reasonable?		
<b>Management</b>		
Has there been any change in management of the CBO/ WUA/ Community Group since the previous funding?		
Is the current CBO/WUA Community Group / Management Committee democratically elected as per the constitution?		
Is there gender representation within the CBO/WUA/ Community Group management committee? <i>Give actual figures in the comments. ( Except for groups which are exclusively for one gender)</i>		
Does the proposal address the needs of the vulnerable members in the CBO/WUA/ Community Group (HIV/AIDS, PWDs, Chronically ill, elderly, very poor )		
Does the management committee meet to handle CBO/WUA /Community Group / affairs as per the constitution?		
Is there good attendance at the CBO/WUA/ Community Group meetings?- <i>Is Quorum met in all meetings as per Constitution/by-laws?</i>		
Do CBO/WUA Community Group / meetings adhere to resolutions as per the minutes?		
Is the management structure as outlined in the constitution adhered to?		
<b>Implementation Capacity</b>		
Does CBO/WUA /Community Group have a track record of project implementation?		
Are proposed activities reasonable given CBO/WUA / Community Group implementation capacity?		
Are the relevant technical personnel involved in the development of the proposal? If Yes,		

which departments/agencies?		
<b>Sustainability</b>		
Are the beneficiaries aware of their roles as stated in the proposal?		
Is the Community Contribution factored in the proposal reasonable and affordable?		
<b>CBO/WUA/ Community Group Record Keeping</b>		
Minutes of Meetings		
Receipt book		
Stores book		
Members Register		
Bank statements		
Books of Accounts		
Record of Community Contribution		
<b>Financial Management</b>		
Are members aware of the budget?		
Is budget reasonable for proposed activities?		
Is community contribution reasonable & achievable?		
Does CBO/WUA/ Community Group have proper financial accounting arrangements?		
Does CBO/WUA/ Community Group have proper procurement arrangements?		
<b>Project Monitoring</b>		
Are proposed milestones well identified and understood by members?		
Is there a reasonable plan for progress monitoring?		

*Review ANSWER column. Are there any NO answers? Examine the issue and decide required action for application.*

<b>General Comments</b>		
<b>Recommendation</b>	<b>Answer (Yes/No)</b>	<b>Comments</b>
Proposal Recommended for funding		
Proposal rejected		

**CBO/WUA Members and Stakeholders Consulted During Field Appraisal**

No	Name	ID	Organization	Position	Signature	Date


**Appraisal Team**

No	Name	Position	Date	Signature
<b>Endorsement by the team leader:</b>				
Name:				

#### **F4: Project Progress Report Formats**

**F 4.1: WUA Monitoring and Evaluation Committee to FDAC** (To be submitted on quarterly basis (5<sup>th</sup> of 3<sup>rd</sup> month)).

Date of this report	
Name of CBO/WUA/ Community Group	
Name of FDAC the CBO/WUA/ Community Group is falling under	
Name of the project	
Category	
Intended outputs	
Money received from UTaNRMP	
Total CBO/WUA/ Community Group contribution	
Total project budget	
Summary of the progress realized as of last report	
Progress details as of this quarterly reporting	
The Cumulative expenditure and the balance as of this reporting date	
Issues encountered during Implementation stage.	
Steps taken in solving the issues Encountered	
General Remarks	

\_\_\_\_\_

**Name..... Signature..... Date.....**

**Summarized Project Progress Report: Category A and B**

**F 4.2: FDACs TO CPFT**

Name of FDA.....

Name of WUA	Category	Type of project	Intended outputs (work plan)	Funding from UTaNRMP (Kshs)	WUA/CBO/Community Group contribution (Kshs)	Total Project budget (Kshs)	Cumulative Expenditure	summary of the Progress realized as of last report	Progress details as of this quarterly reporting	Project implementation status (Good, Medium, Problematic)	Complete (yes/no)	Remarks

**F4.3 CPFT to PCT**

County	FD A	Name of CBO/WUA/Community Group	Category	Type of project	Intended outputs (work plan)	Funding from UTaNRMP (Kshs)	WUA contribution (Kshs)	Total Project budget (Kshs)	Cumulative Expenditure	summary of the Progress realized as of last report	Progress details as of this quarterly reporting	Project implementation status (Good , Medium, Problematic )	Complete (yes/no )	Remarks

#### F4.4: Lessons Learnt Template the CPFT

Total length of report: 2-3 pages.

Refer to the descriptions of the template elements at the end of document when necessary

<b>CBO/WUA/Community group Name</b>		
<b>Project Title</b>		
<b>Component</b>		
<b>County</b>		
<b>Sub-County/District</b>		
<b>Date</b>	<b>Project beginning</b>	
	<b>Recording Lessons Learned</b>	
<b>Project Description and Key Lessons-Learned</b>		
<b>Category</b>	<ul style="list-style-type: none"> <li>○ Classify the lesson(s) learned into one of the project's knowledge management areas e.g. <ul style="list-style-type: none"> <li>○ Financial management</li> <li>○ Procurement</li> <li>○ Leadership/Group Management</li> <li>○ Training/Capacity Building</li> <li>○ Project Management</li> <li>○ Time Management/Scheduling</li> <li>○ Communication</li> <li>○ Extraneous factors</li> </ul> </li> </ul>	
<b>Brief description of project</b>	<p>A short description of the project should be provided here.</p> <ul style="list-style-type: none"> <li>○ What were the issues the project tried to address?</li> <li>○ What solutions the project tried to offer?</li> <li>○ What were its major outputs?</li> <li>○ How different is the project from similar ones you have implemented before or knew about</li> </ul>	
<b>Key project successes</b>	<p>Please describe what has worked well.</p> <ul style="list-style-type: none"> <li>○ What have been the key successes of this project?</li> <li>○ What (conditions/factors) is owed to this success?</li> </ul>	
<b>Project shortcomings and solutions</b>	<p>What have been the main challenges of this project?</p> <ul style="list-style-type: none"> <li>○ What have been the main challenges/ shortcomings/ unforeseen</li> </ul>	



	<p>circumstances of this project? (provide a detailed narrative)</p> <ul style="list-style-type: none"> <li>○ Why/How did these challenges/ shortcomings/ unforeseen circumstances come to be (your analysis)</li> <li>○ How were they overcome (if they were).</li> <li>○ If not yet overcome, are they worth fixing? (Situational/Cost-benefit analysis)</li> <li>○ If so, how can they be fixed? How can they be stop from happening again?</li> <li>○ Were the project results attained? If not, what changes need to be made to achieve these results in the future?</li> </ul>
<b>Lessons learned</b>	<p>Please think about and describe the key lesson(s) learned from this project.</p> <ul style="list-style-type: none"> <li>○ What could have been done differently/ better?</li> <li>○ What would you recommend to improve future programming or for other similar projects elsewhere</li> <li>○ What mistakes should be avoided if the initiative were to be replicated?</li> <li>○ How easy would it be to replicate the successes in a different context/ country?</li> </ul> <p>Provide any other relevant information</p>
<b>Follow-up Actions</b>	Indicate whether or not follow-up action is necessary

<b>Project Information</b>	
<b>ID</b>	A unique ID number used to identify the lesson learned in the lesson learned log
<b>Name</b>	Name of the individual who identified the lesson(s) learned
<b>Position</b>	Position in WUA
<b>Telephone</b>	
<b>Name (Report writer)</b>	
<b>Ministry/Dept/Agency</b>	
<b>Designation</b>	
<b>Telephone</b>	
<b>Report Submission Date</b>	Date of submission of the report

## F4.5: Case Study Template by the CPFT

The template below will be used to capture the format for the annual case studies.

<b>Chapter Title</b>	<b>Chapter Guide</b>
Introduction and Justification	<input type="checkbox"/> Brief description and any relevant background information which would assist in the understanding of the case study. <input type="checkbox"/> Purpose and expected use of the case study <i>Detailed background information (e.g. project action plan/ logical framework) to be included in an annex</i>
The issue (s) being addressed	<input type="checkbox"/> The problem being addressed by the intervention <ul style="list-style-type: none"> <li>○ <i>Identify the problem</i></li> <li>○ <i>How was the problem identified?</i></li> <li>○ <i>Was the process for identifying the problem effective?</i></li> </ul> <input type="checkbox"/> List the issues resolved and/or outstanding which need to be addressed related to this case study. <input type="checkbox"/> For the outstanding issues whom should take action to resolve them and why.
Methodology	<input type="checkbox"/> How was the process carried out? (Describe the process of selecting the case and data collection sources, as well as how data was collected.) <input type="checkbox"/> What assumptions are there (if any)? <input type="checkbox"/> Any limitations? <input type="checkbox"/> What instruments were used to collect data? (To be included in the appendix.) <input type="checkbox"/> What sample(s) is/are being used? <input type="checkbox"/> Over which period of time was data collected?
Steps Taken to Address the Problem	<input type="checkbox"/> A description of how the project sought to address the challenge <ul style="list-style-type: none"> <li>○ <i>What was done (activities/ interventions/inputs), where, by whom, for whom?</i></li> </ul>
The Results	<input type="checkbox"/> What were the results of intervention, particularly the significant or unique results?
The Challenges and How They were Met	This focuses on challenges/ difficulties encountered and what was done to overcome them.
Beyond Results	Are the results mentioned above sustainable? Why or why not?
Lessons Learned	Briefly describe what you would do differently and what lessons you would share with others undertaking a similar project.
Conclusion	List any relevant acknowledgements and references
Appendices	



REPUBLIC  
OF  
KENYA



Poverty Reduction Through Sustainable NRM



MINISTRY OF WATER AND IRRIGATION  
UPPER TANA NATURAL RESOURCES MANAGEMENT PROJECT (UTaNRMP)  
PO Box 996-60100 EMBU Tel: 068-31376 E-mail: [utanrmp@gmail.com](mailto:utanrmp@gmail.com)

**UPPER TANA Natural Resources Management and Water Users Associations (WUAs)**

**(Hereinafter referred to as “The Implementation Agreement”)**

**Date:**

**A) Parties:**

**This Implementation Agreement** is made between:

1. **The Community Based Organisation(CBO)/ Water Users Associations(WUA)/Community Group (CG) (Name) .....** Within ..... FDA in ..... River Basin in ..... Sub-County in ..... County and
2. **Upper Tana Natural Resources Management Project . P.O Box 996 Embu.**

Hereinafter referred to as **“The Parties”**

**FOR COOPERATION IN RELATION TO THE IMPLEMENTATION AND MONITORING OF .....**  
**(Name of the project)**

Within .....Focal Development Area, or otherwise definition of the area hereinafter referred as **the FDA,**

## *Preamble*

### *The CBO/WUA/CG in full Committee*

- i. The committee is a community representative committee elected to oversee the planning, implementation, monitoring the Proposed project.
- ii. The activities are contained within the Community Action Plan (CAP) developed through the Participatory Rural Appraisal (PRA) Process within the FDA.
- iii. The proposal will be funded through the civil works category where the following activities are viable for assistance:- rehabilitation/development of springs, shallow wells, dams, boreholes and upgrading of irrigation technologies.

### *CBO/ WUA/CG*

- i. A CBO/WUA/CG) is a community based organization working together for a common purpose of utilizing water for domestic or industrial use.
- ii. A CBO/WUA/CG is normally formed to respond /address felt common problem or need within the members of the group
- iii. A CBO/WUA/CG aims at pooling resources individually and collectively to accomplish their common purpose
- iv. A CBO/WUA/CG Must be registered with the relevant government department or agency.

### *Upper Tana Natural Resources Management Project*

- i. The Upper Tana Natural Resources Management Project is an eight year project (2012-2020) funded by Government of Kenya, International Fund for Agricultural Development (IFAD), Spanish Trust Fund and the Local community.
- ii. The **goal** of the project is to “*contribute to reduction of rural poverty in the Upper Tana river catchment*”. This goal is pursued via two **development objectives** which reflect the poverty-environment nexus namely (i) increased sustainable food production and incomes for poor rural households living in the project area; and (ii) sustainable management of natural resources for provision of environmental services.

- iii. The project covers an area of 17,420 km<sup>2</sup> and targets a population of 205,000 households (1,025,000 people) in six counties of Embu, Tharaka Nithi, Meru, Nyeri, Kirinyaga and Murang'a. The area includes the Mt. Kenya and Aberdares National Parks and surrounding Forest Reserves with their Forest Stations
- iv. Project interventions will be along 24 river basins. Implementation will start in five former MKEPP river basins and 12 priority river basins for the first 4 years upon which the other 12 river basins will be covered.

**Table 1.1: UTaNRMP River Basins**

MKEPP River Basins (5)	Ena, Kapingazi/Rupingazi, Kathita, Kithinu/Mutonga, Tungu
High Priority River Basins for UTaNRMP (12)	Maragua, Murubara, Nairobi, Ragati, Rujiweru, Rupingazi, Saba Saba, Thanagatha, Thanantu, Thiba, Thika/Sasumua, Thingithu
Other River Basins	Amboni/ Muringato, Iraru, Kayahwe, Lower Chania, Mara, Mariara, Mathioya, Nyamindi, Ruguti, Rwamuthambi, Sagana, Ura

- v *Project Component;- The Implementation is through four components namely: Community Empowerment, Sustainable Rural Livelihoods, Sustainable Water Resources and Natural Resources management and Project Coordination and Management. The outcomes of these components are as follows;*

Component	Outcome
a) Community Empowerment	<ul style="list-style-type: none"> <li>• Rural communities empowered for sustainable management of natural resources</li> </ul>
b) Sustainable Rural Livelihoods	<ul style="list-style-type: none"> <li>• Natural resource-based rural livelihoods sustainably improved</li> </ul>
c) Sustainable Water and Natural Resource Management	<ul style="list-style-type: none"> <li>• Land, water and forest resources sustainably managed for the benefit of the local people and the wider community</li> </ul>
d) Project Management and Coordination	<ul style="list-style-type: none"> <li>• Project effectively and efficiently managed</li> </ul>

## 2.0 Purpose

- i. The main purpose of this implementation agreement is to develop a common understanding on clear roles and responsibilities for **UTaNRMP** and the **CBO/WUA/COMMUNITY Group** implementing supported activities.
- ii. The shared purpose is to start to benefit the member through irrigated agriculture so as to, improve the livelihoods of their members through NRM friendly income generating activities thereby reducing poverty, improve food security and conserving the environment.

## 3.0 Duration and Effective Date

This MOU will be valid for the period of implementation of ..... Months This MOU will become effective on date of signing, or as otherwise indicated in this MOU agreed by the two parties.

### 3.0 Conditionalities

The Laws of Kenya requires that for the CBO/WUA/CG to be recognised, it must be registered with social services with a current certificate. All the CBO/WUA/CG's must therefore be registered and have a current certificate from the department responsible for Social Development.

- i. The CBO/WUA/CG must have a Constitution with clear roles and responsibilities for all members and officials.
- ii. The **Officials of** CBO/WUA/CG must be democratically elected and registered as per their respective Constitutions.

## 5.0 Obligations of the Parties

### 5.1 CBO/WUA/CG Committee

- i. The CBO/WUA/CG committee will regularly monitor the activities of the project funded through the UTaNRMP. *A detailed monitoring plan must be agreed with the CBO/WUA/CG before resources are committed by UTaNRMP.*
- ii. The committee in consultation with the respective technical officer will write quarterly reports on the implementation status of the project activities and forward the same to PCT.

iii. UTaNRMP will train the WUA CBO/WUA/CG's management on Participatory Monitoring and Evaluation.

**5.2 The CBO/WUA/CG**

- i. The CBO/WUA/CG management/members will attend all required trainings modules designed by the UTaNRMP
- ii. The WUA will adhere to the agreed milestones as per the project proposal. *A detailed implementation plan with clear milestones must be agreed with CBO/WUA/CG.(see annex 1:a generic implementation milestone table) During the implementation phase the community will contribute KHS.....MINIMUM 30%(thirty percent )/10% of the total project cost which will be distributed as follows:-Cash contribution-Khs.....Minimum 10%/3% ,materials and labour Khs.....minimum 20%/7%.*
- iii. Upper Tana natural resources on the other hand will contribute materials and skilled labour of Khs.....maximum amount of 70%/90% of the proposed project cost.
- iv. The WUA management will be responsible for the administration this MOU with UTaNRMP management.
- v. The WUA will be responsible to request the County Project Coordinator to initiate the Project Completion Certificate process.

**6.0 Conflict Resolution**

- i. The Parties will act in good faith at all times during the duration of this Implementation Agreement
- ii. In case of misunderstanding, the parties will endeavour to address issues through dialogue and arbitration when and if necessary
- iii. The relevant Laws of Kenya will apply when arbitration becomes necessary

**Signatories:**

1. (Name of WUA)-----

Name .....Signature..... Date.....

*Chairman*

Name .....Signature..... Date.....

*Treasurer*

Name .....Signature..... Date.....

*Secretary*

Witness

(Name) ..... Designation..... Signature.....

## 2. UPPER TANA NATURAL MANAGEMENT PROJECT

Name .....Signature..... Date.....

*Project Coordinator/County Project Coordinator*

Witness

(Name) ..... Designation..... Signature.....





--	--	--	--	--

**Prepared By:** \_\_\_\_\_ **Signature:** \_\_\_\_\_ **Date:** \_\_\_\_\_

Treasurer

**Checked by:** \_\_\_\_\_ **Signature:** \_\_\_\_\_ **Date:** \_\_\_\_\_

Chair Monitoring Committee

### Payments

Month: \_\_\_\_\_

Date	Payee	Payment Voucher Number	Cheque No.	Amount (Kshs.)	Expense Type

**Prepared By:** \_\_\_\_\_ **Signature:** \_\_\_\_\_ **Date:** \_\_\_\_\_

Treasurer Checked by: \_\_\_\_\_ Signature: \_\_\_\_\_

Date: \_\_\_\_\_

Chair Monitoring Committee

**Note:** The treasurer will maintain the financial records and enter all the necessary data into the cash book. He/she will also append their signature once transactions for each month are complete. Once this is done, the chairperson of the monitoring committee will review all entries, check these against the supporting documents and append their signature and date as a confirmation that the cashbook has been checked. The cashbook must be completed and signed off by the 10<sup>th</sup> day of the following month.

**FPF 2: Community Contribution Book (to be prepared by WUA/CBO/Community Group secretary)**

Name and address of WUA: \_\_\_\_\_  
 \_\_\_\_\_

Project Name: \_\_\_\_\_

Type of Contribution (e.g. litres of water, labour hours)

Date	Contributors Name	ID./ No.	Type of contribution	Quantity	Unit cost (Kshs)	Total Cost (Kshs)	Contributor's Signature/thumb print

Prepared by: \_\_\_\_\_

Date: \_\_\_\_\_

Approved by: \_\_\_\_\_

Date: \_\_\_\_\_

Authorized by: \_\_\_\_\_

Date: \_\_\_\_\_

**FPF 3: Payment Voucher**

**Cash/Cheque**

Name of WUA: \_\_\_\_\_

Date: \_\_\_\_\_

Voucher Number: \_\_\_\_\_

Payee name \_\_\_\_\_

\_\_\_\_\_

Payee Address: \_\_\_\_\_

Payment Details: \_\_\_\_\_

\_\_\_\_\_

\_\_\_\_\_

Cheque No: \_\_\_\_\_

Amount in figures Kshs: \_\_\_\_\_

Amount in words Kshs. \_\_\_\_\_

\_\_\_\_\_

**Prepared by:** \_\_\_\_\_ **Signature** \_\_\_\_\_ **Date** \_\_\_\_\_

**Reviewed by:** \_\_\_\_\_ **Signature** \_\_\_\_\_ **Date** \_\_\_\_\_

**Authorized by:** \_\_\_\_\_ **Signature:** \_\_\_\_\_ **Date** \_\_\_\_\_

**Name of Recipient** \_\_\_\_\_

**Signature of Recipient** \_\_\_\_\_ **Date** \_\_\_\_\_



**FPF 5: Budget Control Form**

Name and address of CBO/WUA: \_\_\_\_\_

Project Name: \_\_\_\_\_

Month: \_\_\_\_\_

Budget Ref.	Original Budget Amount (Kshs.)	Amount Spent by end of previous Month (Kshs.)	Balance at end of previous month (Kshs.)	Balance Available end of last month (Kshs.)	Expenditure this month (Kshs.)	Balance end of this month (Kshs.)
1						
2						
3						
TOTALS						

Prepared by: \_\_\_\_\_

Date: \_\_\_\_\_

Treasurer

Approved by \_\_\_\_\_

Date: \_\_\_\_\_

Chairperson

Authorized by: \_\_\_\_\_

Date: \_\_\_\_\_

Chair Monitoring Committee

**Note: This form must be filled in and signed by the 10<sup>th</sup> day of the following month.**

**FPF 6: STATEMENT OF SOURCE AND USE OF FUNDS**

**CBO/WUA Name:** \_\_\_\_\_

Period Covered: \_\_\_\_\_

<b>Project Financing Sources</b>	<b>Budget Amount (Kshs.)</b>	<b>Actual Spent (Kshs.)</b>	<b>Variance (Kshs.)</b>
<b>UTaNRMP PROJECT</b>			
Other external project funding			
Community Contribution			
Total Financing			
Less Uses of funds:			
<b>1.</b>			
<b>2.</b>			
Total funds spent			
Net Cash Flow			
Net Cash available at end of period			
Cash in hand			
Cash at bank			
<b>Total closing Balance</b>			

Prepared by: \_\_\_\_\_

Date: \_\_\_\_\_

Treasurer

Approved by: \_\_\_\_\_

Date: \_\_\_\_\_

Chairperson

Authorized by: \_\_\_\_\_

Date: \_\_\_\_\_

Chair Monitoring Committee

**Note: This form must be filled in and signed by the 10<sup>th</sup> day of the end of the period to which it relates, preferably quarterly.**



**FPF 7: Bank Reconciliation Statement**

**CBO/WUA Name:** \_\_\_\_\_ **as at** \_\_\_\_\_ **20** \_\_\_\_\_

Description	Kshs.	Kshs.
<b>Balance per Bank Statement</b>		<b>XXXX</b>
Less: Unrepresented cheques (Payments in cashbook not appearing on bank statement)  <u>Payee Dated</u> a) _____ b) _____	(XXXX)	
Less: Receipts in Bank statements not recorded in cashbook  <u>Source Dated</u> a) _____ b) _____	(XXXX)	
Add: Payments in bank statement not yet recorded in cashbook	(XXXX)	
Add: Receipts in cashbook not yet recorded in bank statement	(XXXX)	
Balance as per cashbook		

I certify that I have verified the bank balance in the cash book with the bank statement and that the above reconciliation is correct.

Prepared by: \_\_\_\_\_ Date: \_\_\_\_\_

Treasurer

Approved by: \_\_\_\_\_ Date: \_\_\_\_\_

Chairperson

Authorized by: \_\_\_\_\_ Date: \_\_\_\_\_

**Note: This reconciliation must be filled in and signed by the 10<sup>th</sup> day of the following month**

**FPF 8: Petty Cash Voucher**

<b>PETTY CASH VOUCHER</b>	
<b>ORGANIZATION NAME</b> .....	
Date .....	Amount .....
Name.....	
Item Description.....	
.....	
.....	
Purpose.....	
Category.....	
Recommended by: .....	
Approved by.....	
Received by.....	

**FPF 9: Procurement Requisition Form**

**No:** \_\_\_\_\_

**Date:** \_\_\_\_\_

<b>TO:</b> _____ _____ _____	<b>From:</b> _____ _____ <b>Approved by</b> _____
------------------------------------	---

Please procure the following items on our behalf.

No.	Description of goods/services	Quantity	Previous Supplier (if known)	Price or estimated cost	Account/vote Number
	Quotation No.... Contract /tender No.....		LPO/LSO..... Prepared by.....		Remarks:...

**FPF 10: Procurement Plan**

**a). For goods (Materials, equipment and supplies)**

Item description (What to buy?)	Month when needed (When to buy?)	Quantity (How many to buy?)	Estimated cost (Kshs.)	Which procurement method will be used?

Signatures of the Procurement Subcommittee members:

Name	Signature	Date
_____	_____	_____
_____	_____	_____

**b). For services**

What type of service is needed?	Month when needed	Needed for how many days?	Total Estimated cost (Kshs.)	Which procurement method will be used?

Signatures of the Procurement Subcommittee members:

Name	Signature	Date
_____	_____	_____
_____	_____	_____
_____	_____	_____

**c. For Civil Works (construction, repairs, reconstruction)**

Item description (What to buy?)	Month when needed (When to buy?)	Quantity (How many to buy?)	Total Estimated cost (Kshs.)	Which procurement method will be used?

Signatures of the Procurement Subcommittee members:

Name	Signature	Date
_____	_____	_____
_____	_____	_____
_____	_____	_____

TOTAL				
TOTAL COST IN WORDS				
<b>Kshs:</b> _____				
Note: Our payment terms are strictly 30 days net after supply. Orders not supplied within 30 days are automatically void.				
Prepared By: _____ Signed: _____ Date: _____				
Approved By: _____ Signed: _____ Date: _____				
Authorized By: _____ Signed: _____ Date: _____				
<i>Distribution of Copies</i>				
<ol style="list-style-type: none"> <li>1. Retained by Supplier</li> <li>2. Signed by the Supplier and returned to WUA</li> <li>3. Sent to Stock Control and Accounts Dues for notation and then to Receipts to await delivery of goods. Attached to Receipt Voucher and invoice for payment purposes.</li> <li>4. Book copy for control purpose</li> </ol>				

I acknowledge receipt of this order

Name of Supplier (and rubber stamp)

Signed

Date

\_\_\_\_\_  
(Reverse of the LPO)

\_\_\_\_\_

\_\_\_\_\_

### CONDITIONS APPLICABLE TO THIS PURCHASE ORDER

The following terms and conditions and any specifications, drawings, and additional terms and conditions which may be incorporated by reference or appended hereto are part of this purchase order. By accepting the order or any part thereof, the Supplier agrees to and accepts all terms and conditions.

1. The execution of all or part of this order is subject to the following conditions unless otherwise stated in writing. CBO/ WUA reserves the right to reject any supplies not conforming to these conditions.
2. All goods covered by this order are to be met strictly in accordance with samples/specifications/schedule of requirements/brochures submitted with your quotation and accepted as the standard of supply. No alterations in any respects are permitted without prior agreement of CBO/WUA in writing.

3. Deliveries must be made within the accepted delivery period bidded for and specified in this order unless agreement has been reached and written confirmation given of the alteration. If the delivery of the goods is not effected within this period, this order may be cancelled without cost to CBO/WUA or alternatively supply may be obtained from other sources and you will be liable to defray any additional costs such action would incur.
4. All articles, material, workmanship or services covered by this order shall be the subject of CBO/WUA inspection and test at all times before, during or after completion.
5. The supplier warrants that all articles, material or services delivered or performed to be free from defect of material or workmanship and this warranty shall survive any inspection, delivery, acceptance or payment by WUA of the article, material or workmanship.
6. Goods rejected on any grounds will be returned to or collected by the Supplier at his own expense.
7. Goods are to be consigned to the address shown on the order and the costs are to be included in the prices quoted. Any demurrage or similar charges incurred through the Supplier's liability will be recovered from the Supplier.
8. The prices shown include the satisfactory packaging and packing of the goods to ensure safe transit and must be of robust construction sufficient to withstand rough handling and storage.
9. The No.2 copy of this Order constitutes an acceptance of this order and must be signed and returned to the Procurement Subcommittee within 7 days. Failure to comply may be taken as non-acceptance and the order is liable to cancellation.
10. The Procurement Subcommittee will make any amendment to this order in writing and communications or enquiries relative to the order or subsequent amendment must be addressed to the Procurement Subcommittee.
11. Our payment terms are strictly 30 days net after supply. Orders not supplied within 30 days are automatically void.

**FPF 11: Inspection & Acceptance Certificate**

FROM: _____ _____	LPO/LSO/CONTRACT REF No _____ DATE _____
	DELIVERY REF NO. _____ DATE _____
	GOODS RECEIVED NOTE REF No. _____ DATE _____

We the undersigned, confirm that we have performed the assignment diligently and issued this inspection and acceptance certificate for the procurement object indicated below:

NO	DESCRIPTION OF ITEM	QUANTITY	UNIT COST	TOTAL COST	REMARKS

We confirm that the goods can be received and accepted as per the remarks above append our signatures

Signed:

1. Name: \_\_\_\_\_ Designation: \_\_\_\_\_ Signature: \_\_\_\_\_ Date: \_\_\_\_\_
2. Name: \_\_\_\_\_ Designation: \_\_\_\_\_ Signature: \_\_\_\_\_ Date: \_\_\_\_\_
3. Name: \_\_\_\_\_ Designation: \_\_\_\_\_ Signature: \_\_\_\_\_ Date: \_\_\_\_\_
4. Name: \_\_\_\_\_ Designation: \_\_\_\_\_ Signature: \_\_\_\_\_ Date: \_\_\_\_\_



**FPF 12: Goods Received Note**

Receipt No: \_\_\_\_\_

Name and address of CBO/WUA/ **Community Group**: \_\_\_\_\_

Receiving official of CBO/WUA/ **Community Group**: \_\_\_\_\_

Name and of address of Supplier: \_\_\_\_\_

<b>Date Of Supply</b>	<b>Description</b>	<b>Quantity</b>	<b>Unit Price</b>	<b>Value</b>
<b>TOTAL</b>				

GOODS HAVE BEEN CERTIFIED AS CORRECT RECEIPTS.

Name of receiving Officer: _____	Signature: _____	Date: _____
Name of Certifying Officer: _____	Signature: _____	Date: _____

**FPF 13: Goods Issue Note**

ISSUE NOTE No: \_\_\_\_\_

Name and address of CBO/WUA/Community Group: \_\_\_\_\_

Issuing official of CBO/WUA/ Community Group: \_\_\_\_\_

<b>Date Of Supply</b>	<b>Description</b>	<b>Quantity</b>	<b>Unit Price</b>	<b>Value</b>
<b>TOTAL</b>				

GOODS HAVE BEEN CERTIFIED AS CORRECT ISSUES.

Name of receiving Officer: _____ Signature: _____ Date: _____
Name of Certifying Officer: _____ Signature: _____ Date: _____

**FPF 14: Storage Management Record**

Receipt or Issue Note No: \_\_\_\_\_

Storage Record for Item \_\_\_\_\_ (write item name)

<b>Date</b>	<b>Received or Issued?</b>	<b>From or To (Name)</b>	<b>How much or many?</b>	<b>How many returned back?</b>	<b>Balance (in- hand)</b>	<b>Checked by</b>

Use separate sheets for different Items.

Keep all sheets filed in a file folder.

Reviewed by: \_\_\_\_\_

**FPF 15: Tender Register**

Procuring Entity: \_\_\_\_\_

Tender No. \_\_\_\_\_

<b>Number allocated to tender</b>	<b>Item Description</b>	<b>Unit of issue</b>	<b>Total Quantity</b>	<b>Date of commencement</b>	<b>Closing date</b>	<b>Remarks</b>

**FPF 16: Register of Samples**

Procuring entity.....

Unit.....

Registered no.	Date received	Reference no.	Unit received	Company	When sent to tender committee	Date returned to candidate	Signature of candidate	Remarks

**FPF 17: BUDGET TEMPLATE FOR CATEGORY A AND B**

<b>ITEM</b>	<b>DESCRIPTION</b>							
Nature of project								
Relevance to poverty reduction and natural resources management	Supporting livelihoods through Income Generating Project based on natural resources (Provide additional points)							
<b>Benefits to be shared within and beyond group</b>	All members to be trained on _____; All members to share in proceeds of enterprise (either through sharing of products or money raised)  (Provide additional ways in which benefits will be shared)							
<b>Implementation milestones</b>	List the implementation milestones and their outputs							
Bill of Quantities	<b>Milestones</b>	<b>Item<sup>1</sup> Description</b>	<b>Unit</b>	<b>Quantity</b>	<b>Unit Cost</b>	<b>Total cost</b>	<b>UTaNRMP funding</b>	<b>Community Contribution</b>
<b>TOTAL</b>								

1. Item description should be as detailed as possible. Should include materials; labour (both skilled and unskilled), equipments, installations and cost of technical supervision.

**FPF 18: WORKPLAN**

Schedule of Activities	YEAR 1												YEAR 2											
	M 1	M 2	M 3	M4	M 5	M 6	M 7	M	M 9	M10	M 11	M 12	M 1	M 2	M 3	M4	M 5	M 6	M 7	M10	M 9	M10	M 11	M 12

For projects whose implementation period is more than three years add the implementation activities for that period.

## FPF 19: Inspection and Acceptance Certificate

Name and address of CBO/WUA/**Community Group**:

\_\_\_\_\_

Name and of address of Supplier:

\_\_\_\_\_

No.	Item Description	Quantity	Unit Price	Value	Remarks on Condition of goods
<b>TOTAL</b>					

We confirm having inspected the goods described above and append our signatures below:

Name of Member: _____	Signature: _____	Date: _____
Name of Member: _____	Signature: _____	Date: _____
Name of Member: _____	Signature: _____	Date: _____



**FPF 20: Certificate of Final Completion**

---

Project No.  
Project  
Owner(CBO/WUA/Community  
Group):  
Contractor:  
Engineer:

---

Agreement Date:  
Notice to Proceed Date:  
Contractual Substantial Completion Date as modified by Change Orders:  
Actual Substantial Completion Date:  
Contractual Final Completion Date as modified by Change Orders:

---

The Work to which this Certificate applies has been inspected by authorized representatives of Owner, Contractor, and Engineer, the contract been completed and the Work of the Contract is hereby declared to be Finally Complete in accordance with the Contract Documents on:

\_\_\_\_\_   
Date of Final Completion

This Certificate does not constitute an acceptance of any Work not in accordance with the Contract Documents nor is it a release of Contractor's obligation to complete the Work in accordance with the Contract Documents. The Warranty for all Work completed subsequent to the date of Substantial Completion expires one year from the date of this Final Acceptance.

---

Executed by Authorized technical person on: \_\_\_\_\_

By: \_\_\_\_\_

Contractor accepts this Certificate of Final Completion on: \_\_\_\_\_

By: \_\_\_\_\_

Owner accepts this Certificate of Final Completion on: \_\_\_\_\_

By: \_\_\_\_\_

**APPENDIX 3: OTHER FORMS**

**OF 1: Complaints Register**

This register will be filled and submitted on monthly basis by the **County Project Coordinators (CPC)** to **Project Coordinating Team (PCT) Embu.**

Name of County .....Date/Month.....

S/No	Nature /Details of the complaint	Disputes resolved and by which office	Pending /forwarded to PCT for action	Contact information (complainant/group)
1				
2				
3				
4				
5				
6				
7				
8				
9				
10				

Total no of disputes resolved.....

Total no of disputes forwarded.....Date .....

Total number of disputes under investigation.....

**OF 2: Complaints Form**

Good governance and transparency are key pillars in implementing the projects funded under the matching grants. All stakeholders are encouraged to report any disputes and funds misuse (commission, collusion and omission) to the relevant authorities' complaints boxes i.e. **office of the County Project Coordinator, Sub-County Office of Gender and Social Development and Project Coordinating Team (UTaNRMP).**

The complaint(s) are supposed to be lodged officially through a prescribed form as shown below **(Attach relevant documents)**

1. Name of the complainant .....ID/NO .....Tel No  
 .....Relationship with the group.....Name of Group.....Date of the report .....
2. FDA.....WRUA/CFA .....COUNTY.....  
 SUB –COUNTY .....

<b>Nature of dispute</b>	<b>Description of the complaint</b>	<b>Which other office have you reported</b>	<b>What action was taken by who&amp; when</b>	<b>Recommended action</b>
Funds Misuse				
Corruption				
Leadership				
Implementation delays				
Non-disclosure of information				
Lack of meetings				
Others				

**OF3: Completion Certificate Form**

This is to certify that: \_\_\_\_\_ (WUA name)

Having signed the respective contract no.....On

\_\_\_/\_\_\_/\_\_\_ to implement.....

Has on \_\_\_/\_\_\_/\_\_\_ completed the aforesaid project to the full satisfaction of all stakeholders as per the contract.

**FDAC Chairperson**

Name .....  
ID/No .....  
Signature .....  
Date .....

**Line Ministry/Agency**

Name .....  
Designation.....  
ID/No .....  
Signature .....  
Date.....

**Project Coordinating Team**

Name .....  
Designation.....  
ID/No .....  
Signature .....  
Date.....

**OF 4: Completion Certificate- REQUIRES UPDATING TO REFLECT WUA/CBO/COMMUNITY GROUP- ALSO REMOVE AGRICOM**

	REPUBLIC OF KENYA	 <i>Poverty Reduction through Sustainable NRM</i>		<b>IFAD</b> INTERNATIONAL FUND FOR AGRICULTURAL DEVELOPMENT
<b>MINISTRY OF WATER AND IRRIGATION</b> UPPER TANA NATURAL RESOURCES MANAGEMENT PROJECT (UTaNRMP)				
<b>COMPLETION CERTIFICATE</b> THIS IS TO CERTIFY THAT				
-----				
<b>A COMMON INTEREST GROUP</b>				
HAS SUCCESSFULLY COMPLETED IMPLEMENTATION				
OF ----- REF NO: -----				
<b>DURING 2014/2015 FINANCIAL YEAR</b>				
IN ----- FOCAL DEVELOPMENT AREA (FDA) OF -----				
RIVER BASIN IN -----				
.....			.....	
<b>PROJECT COORDINATOR</b> UPPER TANA NATURAL RESOURCES MANAGEMENT PROJECT (UTaNRMP)			<b>MANAGING DIRECTOR</b> AGRICOM CONSULTANTS LTD INDEPENDENT OVERSIGHT AGENT (IOA)	

